

# KSC D Series

## Sealed Detect Switch for SMT



### Specifications

<b>Function</b>	Momentary action compatible with permanent actuation
<b>Contact Arrangement</b>	1 make contact = SPST, N.O.
<b>Terminals</b>	J bend & Gullwing type for SMT compatible with permanent actuation

### Electrical Characteristics

	Silver	Gold
<b>Max. Power</b>	1 VA	0.2 VA
<b>Min./Max. Voltage</b>	20 mV - 32 VDC	
<b>Min./Max. Current</b>	1mA-50mA	0.1mA-10mA
<b>Dielectric Strength (50 hz, 1 min.)</b>	≥ 250 V	
<b>Contact Resistance</b>	≤ 100 mΩ	
<b>Insulation Resistance</b>	(100 V): ≥ 10 <sup>9</sup> Ω	
<b>Bounce Time</b>	≤ 1 ms	
<b>ULC</b>	Ultra Low Current 0.01mA @ 1.8 V DC	

### Environmental Characteristics

	Silver	Gold
<b>Operating Temperature</b>	-40°C to 85°C	-40°C to 125°C
<b>Storage Temperature</b>	-55°C to 85°C	-55°C to 125°C

### Description

The KSC D series of sealed detect switches for SMT are used by designers throughout the automotive, industrial electronics, computer infrastructure, mobile phone and IT industries because of their ability to combine a low profile with a soft actuator in a long-lasting switch. KSC D switches from C&K are available with J or G terminations – and are compliant with the IP67 and RoHS directive.

### Features & Benefits

- Soft actuator
- J or G terminations
- Tape & reel
- IP67
- RoHS compliant and compatible

### Applications

- Automotive
- Cellular phones
- Industrial electronics
- Computer infrastructure and IT

### Process

#### Soldering

Infrared Reflow according to free soldering process with IEC 61760-1

#### Notes:

Part numbers listed above do not represent all possible configurations. For information on specific and custom switches, consult Customer Service Center. This data sheet does not provide enough information for applications which require a certain level of quality or safety such as automotive, medical systems, safety equipment. Please contact your sales representative to get contractual specification package.

#### Packaging

KSC4: Reels of 1,000 pieces dimensions of reels according to EIA RS481 or IEC 60286-3 External diameter 330 mm ± 2 mm

### Mechanical Characteristics

Type	Operating Force FA (N)	Operating Life (operations)	Travel (mm)
KSC4D1	1.0 - 3.0	500,000	0.6 ± 0.25
KSC4D2		2,000,000	
KSC4D3		500,000	

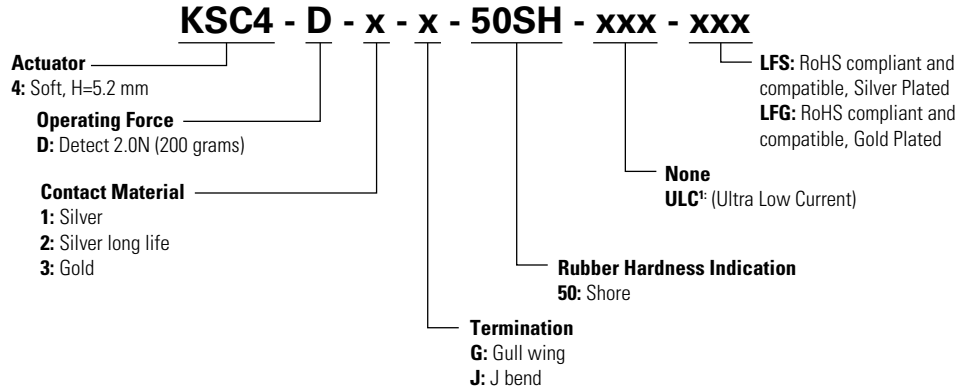
# KSC D Series

## Sealed Detect Switch for SMT



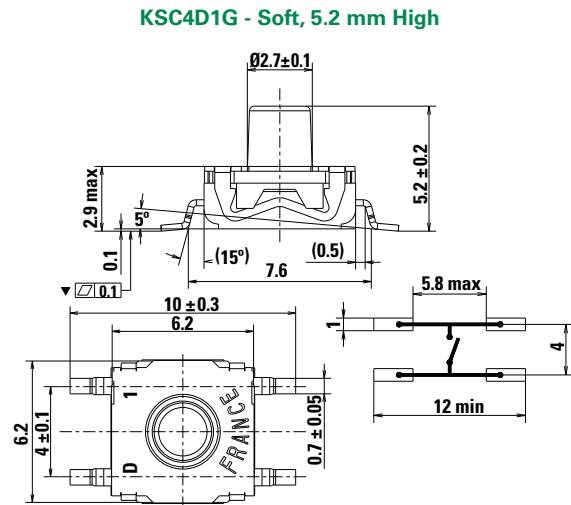
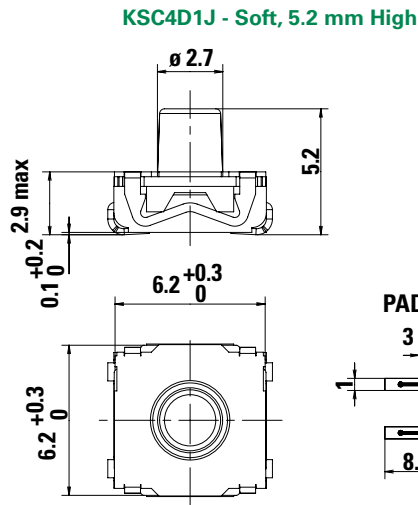
### Ordering Number

Our easy build-a-switch concept allows you to mix and match options to create the switch you need. To order, select desired option from each category and place it in the appropriate box. For any part number different from those listed above, please consult your local representative.

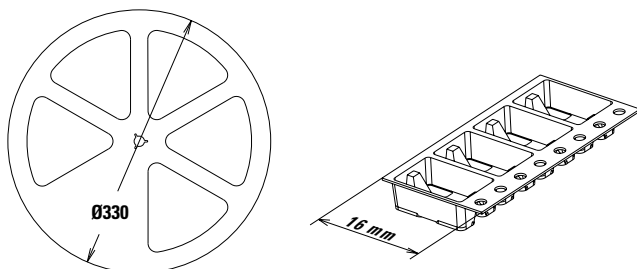


**Note:**  
1. Gold plating only

### Dimensions (mm)



### Tape & Reel



**Disclaimer Notice** - Information furnished is believed to be accurate and reliable. However, users should independently evaluate the suitability of and test each product selected for their own applications. Littelfuse products are not designed for, and may not be used in, all applications. Read complete Disclaimer Notice at <http://www.littelfuse.com/disclaimer-electronics>.