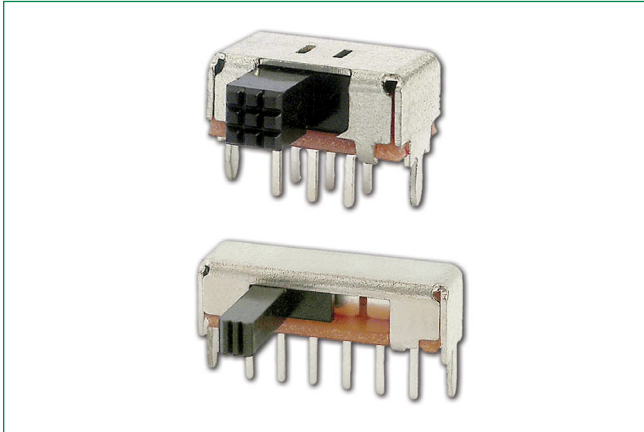


# SS Series

## Miniature Slide Switches



### Description

SS series switches are available for a broad range of products and are most often used in consumer electronics, computer peripherals and telecommunications equipment. The SS series are compact miniature slide switches that are available in shorting or non-shorting versions.

### Features & Benefits

- Various circuit design, SPDT, 4P3T, vertical, right angle
- Compact miniature slide switch
- Shorting or non-shorting
- Custom design available
- Broad range of products

### Applications

- Consumer electronics
- Computer peripherals
- Telecommunication
- Audio & visual equipment
- Medical
- Automotive

# SS Series

## Miniature Slide Switches



### Ordering Number

Part number list is shown below. For individual part details, please refer to the following pages

Part Number	Product Features				
	Switch Function and Travel	Frame Height	Tail Length	Knob Type and Common Length <sup>1</sup>	Other Features
SS-12D1305-G 2	1P2T, 2mm	3.5mm	3.0mm	G, 2mm	SUS, PA, Non shorting
SS-12D1505-G 2	1P2T, 2mm	3.5mm	1.2mm	G, 2mm	SUS, PA, Non shorting
SS-22D0205-G X= 2,4	2P2T, 2mm	3.5mm	3.0mm	G, 2mm or 4mm	SUS, PA, Non shorting
SS-22D0205-G 2 -LT	2P2T, 2mm	3.5mm	1.95mm	G, 2mm	SUS, Vertical Bending PA, Non shorting
SS-23D31-G 1.5 NS	2P3T, 2mm	3.5mm	1.5mm	G, 1.5mm	PA
SS-12D01-G X=2,3,4,6 E NS	1P2T, 2mm	3.5mm	2.5mm	G, 2mm, 3mm, 4mm, 6mm	SPTE, POM, Non shorting
SS-12D06-G X=4,6 E NS PA	1P2T, 2mm	3.5mm	2.5mm	G, 4mm or 6mm	SPTE, PA, Non shorting
SS-12D11-G 5 E NS PA	1P2T, 2mm	4.7mm	2mm	G, 5mm	SPTE, PA, Non shorting
SS-13D01-G 5	1P3T, 2mm	3.5mm	2.5mm	G, 5mm	POM
SS-22D28-G X=2,4,5,6,9 NS	2P2T, 2mm	8.5mm	3.3mm	G, 2,4,5,6,9mm	POM, Non shorting
SS-23D28-G X=2,5,6 NS	2P3T, 2mm	8.5mm	3.3mm	G, 2,5,6mm	POM, Non shorting
SS-24D28-G X=4,5 NS	2P4T, 2mm	8.5mm	3.3mm	G, 4 or 5mm	POM, Non shorting
SS-42D28-G X=2,6,8,10 NS	4P2T, 2mm	8.5mm	3.3mm	G, 2,6,8,10mm	POM, Non shorting
SS-43D28-G X=3,6 NS	4P3T, 2mm	8.5mm	3.3mm	G, 3mm or 6mm	POM, Non shorting
SS-23D33-HG 9 NS	2P3T, 2mm	7mm	3.5mm	G, 9mm	POM, Non shorting
SS-12F28-G NS	1P2T, 3mm	8.5mm	3mm	G, 6mm or 9mm	POM, Non shorting
SS-22F28-G S	2P2T, 3mm	8.5mm	3mm	G, 5,6,8mm	POM, Shorting
SS-23F28-G 6 NS	2P3T, 3mm	8.5mm	3mm	G with L=6mm	POM, Non shorting
SS-24F28-G	2P4T, 3mm	8.5mm	3mm	G, 6mm or 9mm	POM, Non shorting
SS-42F28-G NS	4P2T, 3mm	8.5mm	3mm	G	POM, Non shorting
SS-43F28-G X= 6,9 NS	4P3T, 3mm	8.5mm	3mm	G, 6mm or 9mm	POM, Non shorting
SS-44F28-G X=5,6,9 NS	4P4T, 3mm	8.5mm	3mm	G, 5,6,9mm	POM, Non shorting
SS-12D07-VG NS	1P2T, 2mm	4.7mm	3.3mm	VG, 2,3,4,6,7mm	POM, Non shorting
SS-12H26-VG X=3,4	1P2T, 4mm	4.7mm	3.3mm	VG, 3mm or 4mm	POM, Non shorting

#### Notes:

1. For the knob length (starter 1.5mm with stepper 0.5mm) not listed in the common length, please consult with our factory.

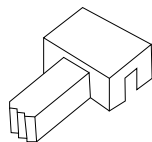
# SS Series

## Miniature Slide Switches

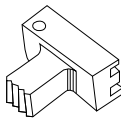


Part Number (Part Description)	Product Details				
	Travel	Frame Height	Tail Length	Knob Type	Other Features
SS-13D08-VG 6	1P3T, 2mm	7mm	4mm	VG, 6mm	POM
SS-13D16-VG X=3,4,5,7	1P3T, 2mm	4.7mm	3.3mm	VG, 3,4,5,7mm	PA
SS-14D01-VG 3	1P4T, 2mm	4.7mm	3.3mm	VG, 3mm	POM
SS-14D07-VG	1P4T, 2mm	4.7mm	3.3mm	VG, 2,3,5,7mm	POM
SS-22D07-VG X=2,3,4,5 NS	2P2T, 2mm	4.7mm	3.3mm	VG, 2,3,4,5mm	POM, Non Shorting
SS-22H08-G 4	2P2T, 4mm	4.7mm	3.4mm	G, 4mm	POM, Non shorting
SS-23D07-G X=3,4,5 PA	2P3T, 2mm	4.7mm	3.3mm	G, 3,4,5mm	PA, Non shorting
SS-24D02-VG 5 PA	2P4T, 2mm	4.7mm	3.3mm	VG, 5mm	PA
SS-24D04-VG 5 PA	2P4T, 2mm	4.7mm	2.8mm	VG, 5mm	PA
SS-24D07-VG X=3,5,6 PA	2P4T, 2mm	4.7mm	3.3mm	VG, 3,5,6mm	PA
SS-13E08-DG 5	1P3T, 2.5mm	5.5mm	3.5mm	DG, 5mm	POM
SS-22J08-G	2P2T, 5mm	5.2mm	2.7mm	G, 5mm or 6mm	POM, Non shorting
SS-23E06-G X=3,4,5,6,8	2P3T, 2.5mm	5.5mm	2.7mm	G, 3,4,5,6,8mm	POM
SS-23E08-TG X=4,5,6,8,9,10	2P3T, 2.5mm	5.2mm	3.5mm	TG, 4,5,6,8,9,10mm	POM
SS-24E06-TG 3	2P4T, 2.5mm	5.2mm	3.6mm	TG, 3mm	POM, Shorting
SS-24E08-CG 12	2P4T, 2.5mm	5.2mm	3.6mm	CG, 12mm	POM
SS-24E09-TG 6	2P4T, 2.5mm	5.2mm	3.6mm	TG, 6mm	POM
SS-24E10-TG 5	2P4T, 2.5mm	5.2mm	3.6mm	TG, 5mm	POM
SS-24E19-TG 4	2P4T, 2.5mm	5.2mm	3.6mm	TG, 4mm	POM
SS-22H18-G X=7,16	2P2T, 2.5mm	12mm	3.5mm	G, 7mm or 16mm	POM, Non shorting
SS-23D10-G X=7,15	2P3T, 2mm	12mm	3.5mm	G, 7mm or 15mm	POM
SS-43D01-G X=5,7,9,14,16	4P3T, 2mm	12mm	3.5mm	G, 5,7,9,14,16mm	POM
SS-14D0839-VG 5 PA	1P4T, 2mm	4.7mm	2.5mm	VG, 5mm	PA

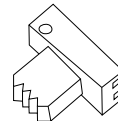
### Common Actuator Type



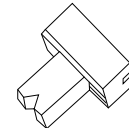
**G**



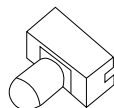
**DG**



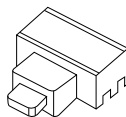
**TG**



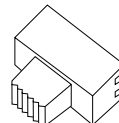
**VG**



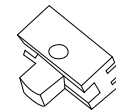
**R**



**M**



**AC**



**DP**

# SS Series

## Miniature Slide Switches



### SS-12D1305-G 2 1P2T Non-Shorting

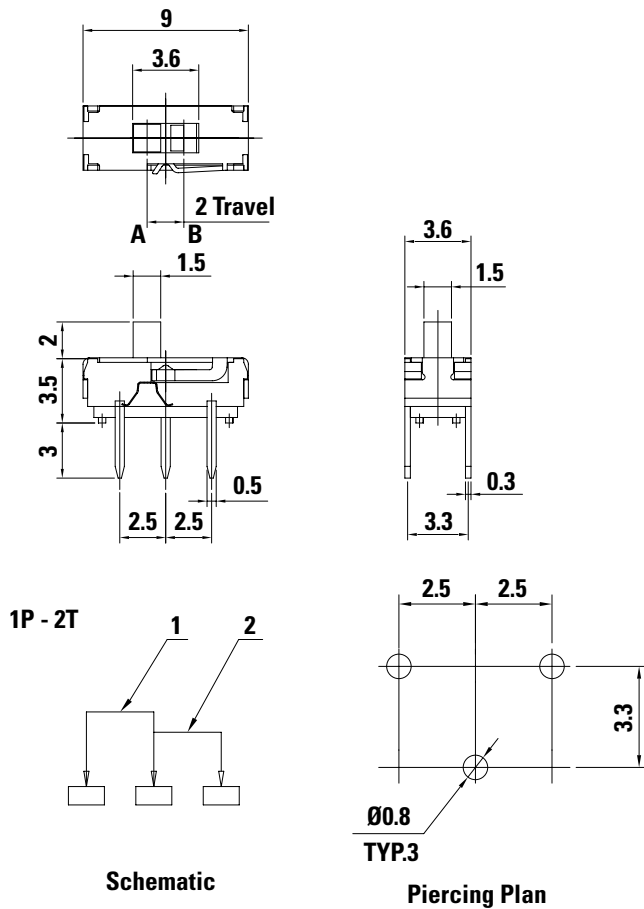
#### Specifications

<b>Contact Rating</b>	0.3A @ 6 VDC
<b>Initial Contact Resistance</b>	70 m ohms max.
<b>Insulation Resistance</b>	100 M ohms min.
<b>Dielectric Strength</b>	500 V AC (50-60 Hz) between open terminals and between the frame and terminal.
<b>Operating Life</b>	10,000 cycles with load
<b>Operating Force</b>	200 ± 100 gf (1.96 ± 0.98N)
<b>Travel</b>	2 ± 0.3 mm
<b>Operating Temperature</b>	-20°C to 70°C

#### Materials

<b>Knob</b>	PA
<b>Cover</b>	SUS
<b>Housing</b>	PA
<b>Contact</b>	Silver clad
<b>Terminal</b>	Silver plated

#### Dimensions (in mm)



### SS-12D1505-G 1P2T Non-Shorting

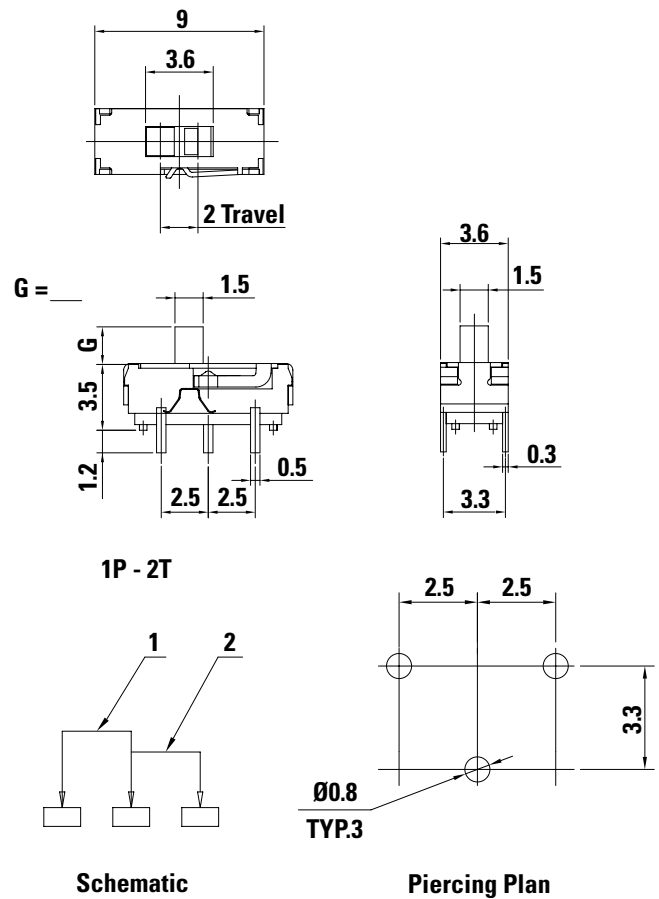
#### Specifications

<b>Contact Rating</b>	0.3A @ 6 VDC
<b>Initial Contact Resistance</b>	70 m ohms max.
<b>Insulation Resistance</b>	100 M ohms min.
<b>Dielectric Strength</b>	500 V AC (50-60 Hz) between open terminals and between the frame and terminal.
<b>Operating Life</b>	10,000 cycles with load
<b>Operating Force</b>	200 ± 100 gf (1.96 ± 0.98N)
<b>Travel</b>	2 ± 0.3 mm
<b>Operating Temperature</b>	-20°C to 80°C

#### Materials

<b>Knob</b>	PA
<b>Cover</b>	SUS
<b>Housing</b>	PA
<b>Contact</b>	Silver clad
<b>Terminal</b>	Silver plated

#### Dimensions (in mm)



# SS Series

## Miniature Slide Switches



### SS-22D0205-G 2 -LT DPDT Non-Shorting

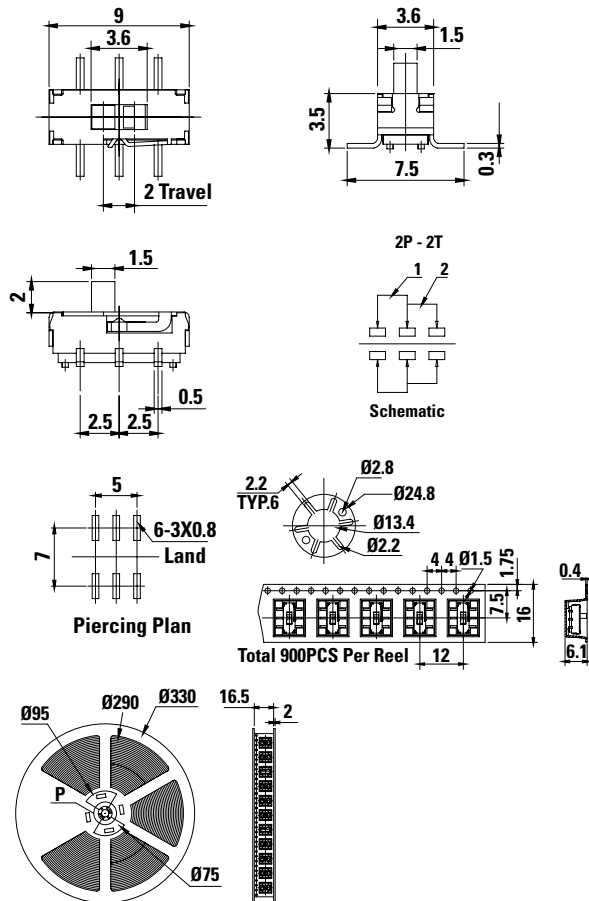
#### Specifications

<b>Contact Rating</b>	0.3A @ 6 VDC
<b>Initial Contact Resistance</b>	70 m ohms max.
<b>Insulation Resistance</b>	100 M ohms min.
<b>Dielectric Strength</b>	500 V AC (50-60 Hz) between open terminals and between the frame and terminal.
<b>Operating Life</b>	10,000 cycles with load
<b>Operating Force</b>	200 ± 100 gf (1.96 ± 0.98N)
<b>Travel</b>	2 ± 0.3 mm
<b>Operating Temperature</b>	-20°C to 70°C

#### Materials

<b>Knob</b>	PA
<b>Cover</b>	SUS
<b>Housing</b>	PA
<b>Contact</b>	Silver clad
<b>Terminal</b>	Silver plated

#### Dimensions (in mm)



### SS-23D31-G 1.5 NS 2P3T Non-Shorting

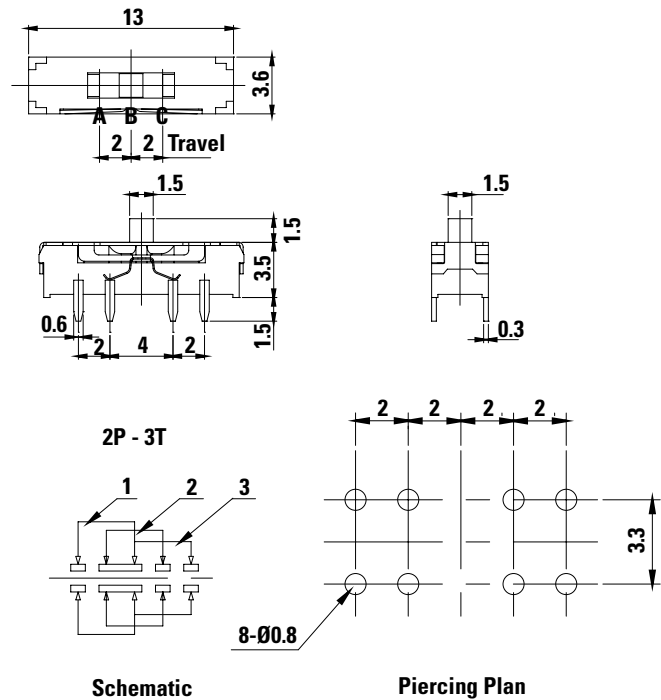
#### Specifications

<b>Contact Rating</b>	0.3A @ 6 VDC
<b>Initial Contact Resistance</b>	70 m ohms max.
<b>Insulation Resistance</b>	100 M ohms min.
<b>Dielectric Strength</b>	500 V AC (50-60 Hz) between open terminals and between the frame and terminal.
<b>Operating Life</b>	10,000 cycles with load
<b>Operating Force</b>	200 ± 100 gf (1.96 ± 0.98N) 250 ± 100 gf (2.47 ± 0.98N)
<b>Travel</b>	2 ± 0.3 mm
<b>Operating Temperature</b>	-20°C to 70°C

#### Materials

<b>Knob</b>	PA
<b>Cover</b>	SUS
<b>Housing</b>	PA
<b>Contact</b>	Silver clad
<b>Terminal</b>	Silver plated

#### Dimensions (in mm)



# SS Series

## Miniature Slide Switches



### SS-12D01-G E NS 1P2T Non-Shorting

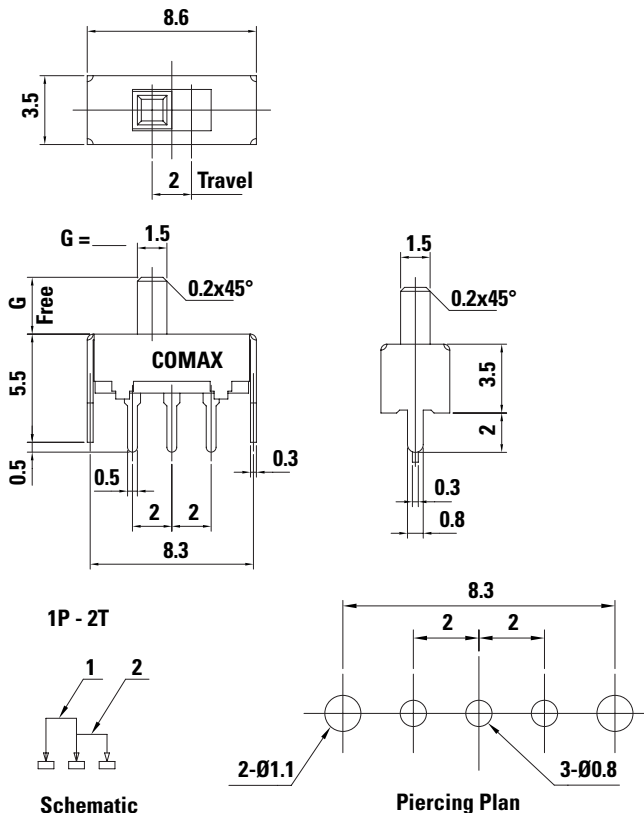
#### Specifications

<b>Contact Rating</b>	0.3A @ 30 VDC
<b>Initial Contact Resistance</b>	30 m ohms max.
<b>Insulation Resistance</b>	100 M ohms min.
<b>Dielectric Strength</b>	500 V AC (50-60 Hz) between open terminals and between the frame and terminal.
<b>Operating Life</b>	10,000 cycles with load
<b>Operating Force</b>	200 ± 100 gf (1.96 ± 0.98N)
<b>Travel</b>	2 ± 0.3 mm
<b>Operating Temperature</b>	-20°C to 70°C

#### Materials

<b>Knob</b>	POM
<b>Cover</b>	SUS
<b>Frame</b>	SPTE
<b>Contact</b>	Silver clad
<b>Terminal</b>	Silver plated

#### Dimensions (in mm)



### SS-12D06-G E NS 1P2T Non-Shorting

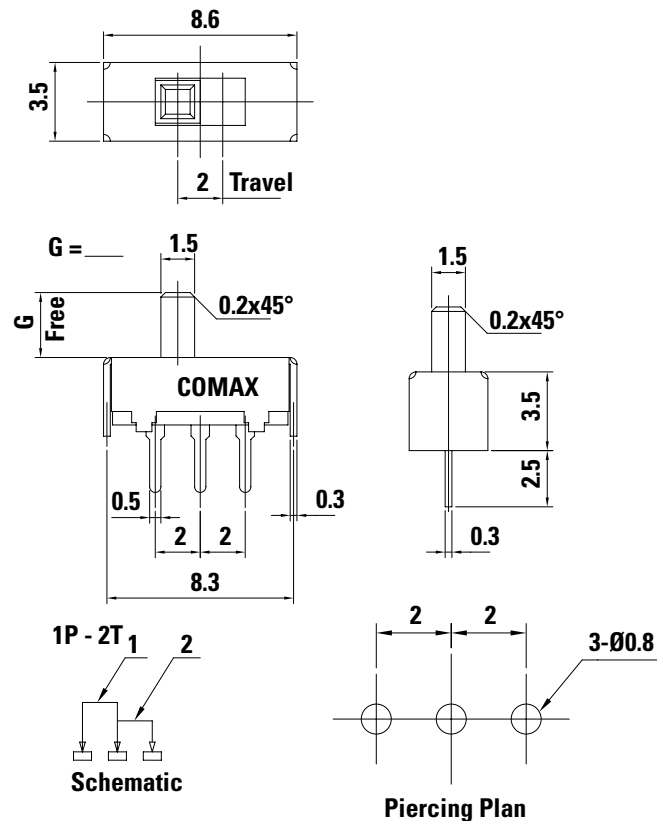
#### Specifications

<b>Contact Rating</b>	0.3A @ 30 VDC
<b>Initial Contact Resistance</b>	30 m ohms max.
<b>Insulation Resistance</b>	100 M ohms min.
<b>Dielectric Strength</b>	500 V AC (50-60 Hz) between open terminals and between the frame and terminal.
<b>Operating Life</b>	10,000 cycles with load
<b>Operating Force</b>	200 ± 100 gf (1.96 ± 0.98N)
<b>Travel</b>	2 ± 0.3 mm
<b>Operating Temperature</b>	-20°C to 70°C

#### Materials

<b>Knob</b>	POM
<b>Frame</b>	SPTE
<b>Contact</b>	Silver clad
<b>Terminal</b>	Silver plated

#### Dimensions (in mm)



# SS Series

## Miniature Slide Switches



### SS-12D11-G E NS 1P2T Non-Shorting

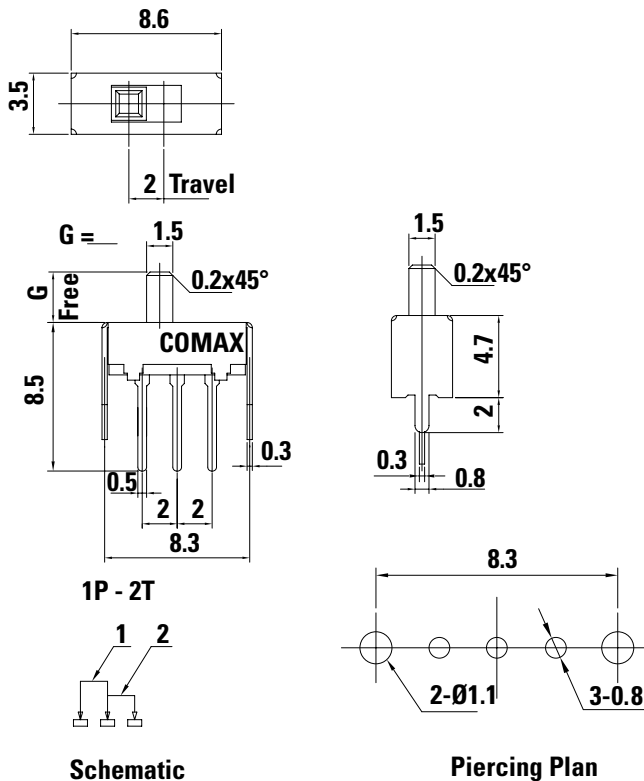
#### Specifications

<b>Contact Rating</b>	0.3A @ 30 VDC
<b>Initial Contact Resistance</b>	30 m ohms max.
<b>Insulation Resistance</b>	100 M ohms min.
<b>Dielectric Strength</b>	500 V AC (50-60 Hz) between open terminals and between the frame and terminal.
<b>Operating Life</b>	10,000 cycles with load
<b>Operating Force</b>	200 ± 100 gf (1.96 ± 0.98N)
<b>Travel</b>	2 ± 0.3 mm
<b>Operating Temperature</b>	-20°C to 70°C

#### Materials

<b>Knob</b>	POM
<b>Frame</b>	SPTE
<b>Contact</b>	Silver clad
<b>Terminal</b>	Silver plated

#### Dimensions (in mm)



### SS-13D01-G 1P3T

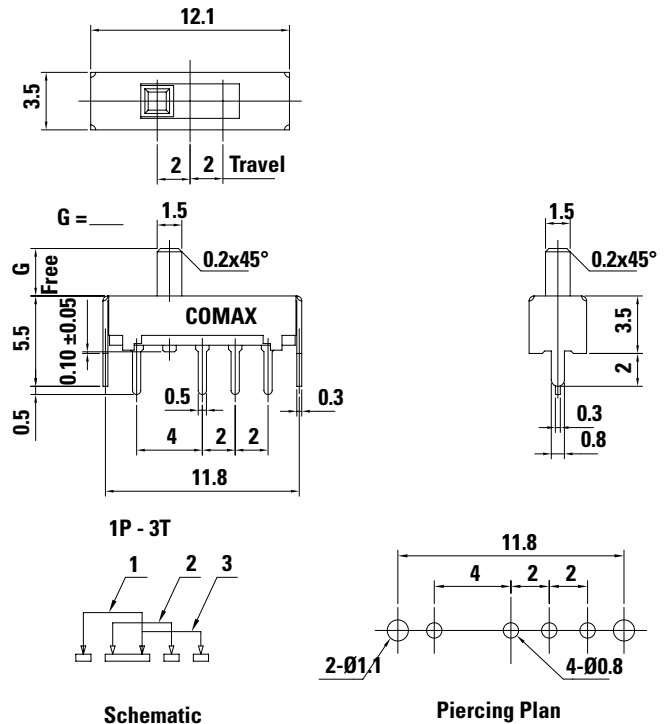
#### Specifications

<b>Contact Rating</b>	0.3A @ 30 VDC
<b>Initial Contact Resistance</b>	30 m ohms max.
<b>Insulation Resistance</b>	100 M ohms min.
<b>Dielectric Strength</b>	500 V AC (50-60 Hz) between open terminals and between the frame and terminal.
<b>Operating Life</b>	10,000 cycles with load
<b>Operating Force</b>	200 ± 100 gf (1.96 ± 0.98N) 250 ± 100 gf (2.47 ± 0.98N)
<b>Travel</b>	2 ± 0.3 mm
<b>Operating Temperature</b>	-20°C to 70°C

#### Materials

<b>Knob</b>	POM
<b>Frame</b>	SPTE
<b>Contact</b>	Silver clad
<b>Terminal</b>	Silver plated

#### Dimensions (in mm)



# SS Series

## Miniature Slide Switches



### SS-22D28-G NS 2P2T Non-Shorting

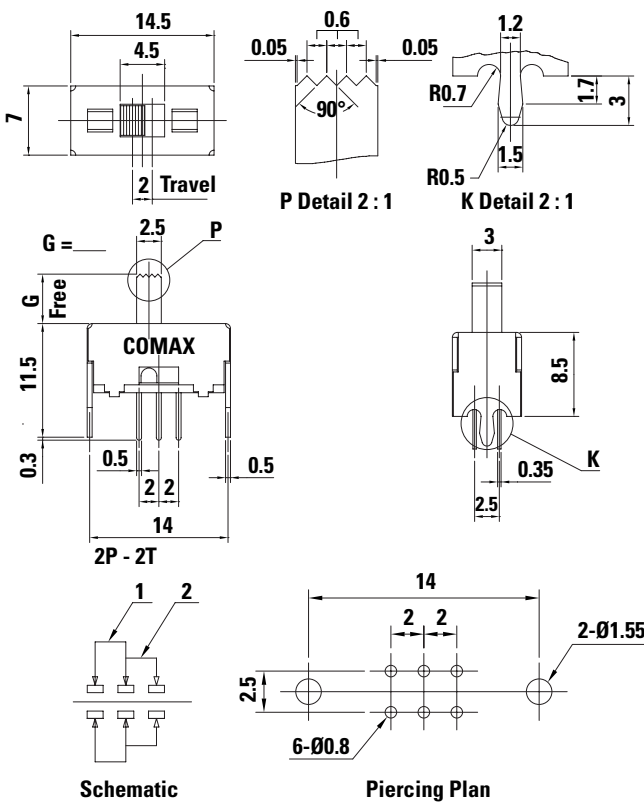
#### Specifications

<b>Contact Rating</b>	0.3A @ 30 VDC
<b>Initial Contact Resistance</b>	30 m ohms max.
<b>Insulation Resistance</b>	100 M ohms min.
<b>Dielectric Strength</b>	500 V AC (50-60 Hz) between open terminals and between the frame and terminal.
<b>Operating Life</b>	10,000 cycles with load
<b>Operating Force</b>	200 ± 100 gf (1.96 ± 0.98N)
<b>Travel</b>	2 ± 0.3 mm
<b>Operating Temperature</b>	-20°C to 70°C

#### Materials

<b>Knob</b>	POM
<b>Frame</b>	SPCC
<b>Contact</b>	Silver clad
<b>Terminal</b>	Silver plated

#### Dimensions (in mm)



### SS-23D28-G NS 2P3T Non-Shorting

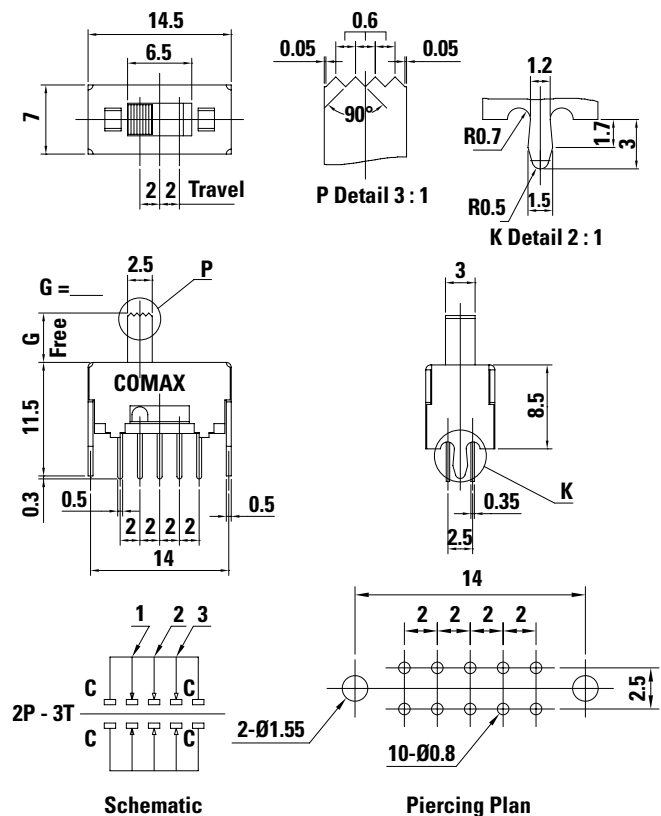
#### Specifications

<b>Contact Rating</b>	0.3A @ 30 VDC
<b>Initial Contact Resistance</b>	30 m ohms max.
<b>Insulation Resistance</b>	100 M ohms min.
<b>Dielectric Strength</b>	500 V AC (50-60 Hz) between open terminals and between the frame and terminal.
<b>Operating Life</b>	10,000 cycles with load
<b>Operating Force</b>	200 ± 100 gf (1.96 ± 0.98N) 300 ± 150 gf (2.94 ± 1.47N)
<b>Travel</b>	2 ± 0.3 mm
<b>Operating Temperature</b>	-20°C to 70°C

#### Materials

<b>Knob</b>	POM
<b>Frame</b>	SPCC
<b>Contact</b>	Silver clad
<b>Terminal</b>	Silver plated

#### Dimensions (in mm)





# SS Series

## Miniature Slide Switches



### SS-24D28-G NS 2P4T Non-Shorting

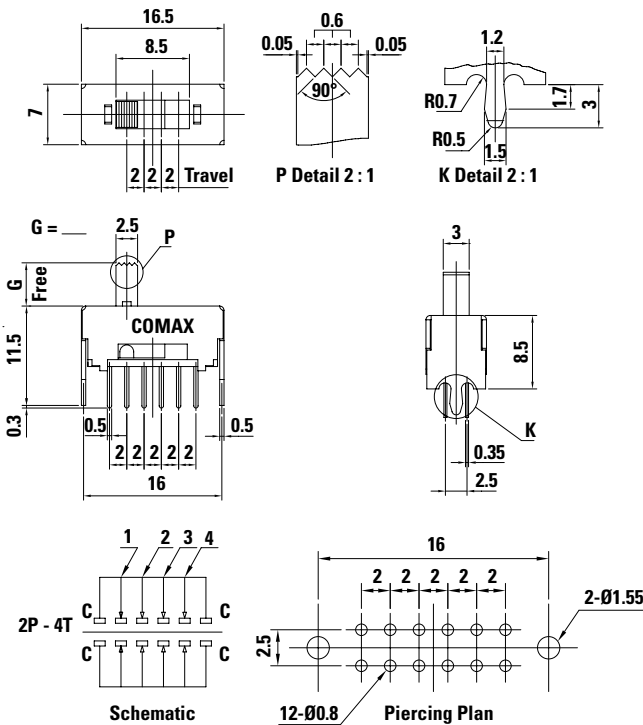
#### Specifications

<b>Contact Rating</b>	0.3A @ 30 VDC
<b>Initial Contact Resistance</b>	30 m ohms max.
<b>Insulation Resistance</b>	100 M ohms min.
<b>Dielectric Strength</b>	500 V AC (50-60 Hz) between open terminals and between the frame and terminal.
<b>Operating Life</b>	10,000 cycles with load
<b>Operating Force</b>	200 ± 100 gf (1.96 ± 0.98N) 250 ± 100 gf (2.45 ± 0.98N) 300 ± 100 gf (2.94 ± 0.98N)
<b>Travel</b>	2 ± 0.3 mm
<b>Operating Temperature</b>	-20°C to 70°C

#### Materials

<b>Knob</b>	POM
<b>Frame</b>	SPCC
<b>Contact</b>	Silver clad
<b>Terminal</b>	Silver plated

#### Dimensions (in mm)



### SS-42D28-G NS 4P2T Non-Shorting

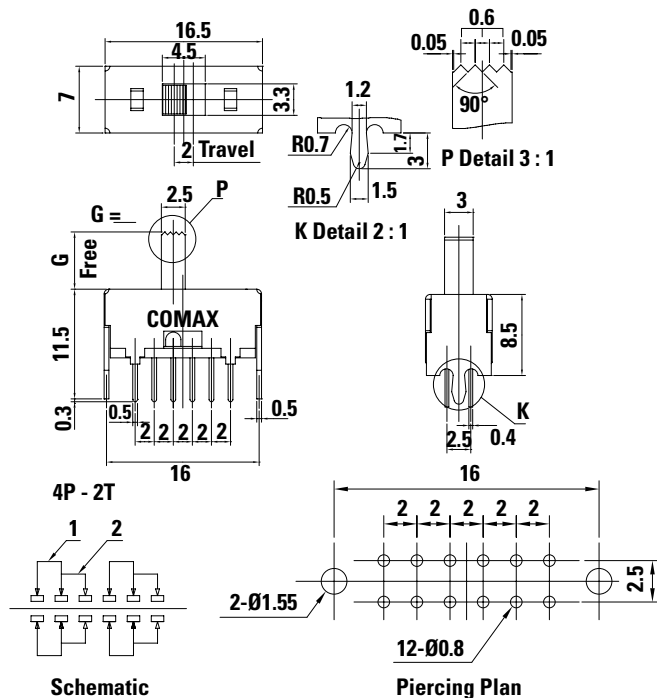
#### Specifications

<b>Contact Rating</b>	0.3A @ 30 VDC
<b>Initial Contact Resistance</b>	30 m ohms max.
<b>Insulation Resistance</b>	100 M ohms min.
<b>Dielectric Strength</b>	500 V AC (50-60 Hz) between open terminals and between the frame and terminal.
<b>Operating Life</b>	10,000 cycles with load
<b>Operating Force</b>	200 ± 100 gf (1.96 ± 0.98N)
<b>Travel</b>	2 ± 0.3 mm
<b>Operating Temperature</b>	-20°C to 70°C

#### Materials

<b>Knob</b>	POM
<b>Frame</b>	SPCC
<b>Contact</b>	Silver clad
<b>Terminal</b>	Silver plated

#### Dimensions (in mm)



# SS Series

## Miniature Slide Switches



### SS-43D28-G NS 4P3T Non-Shorting

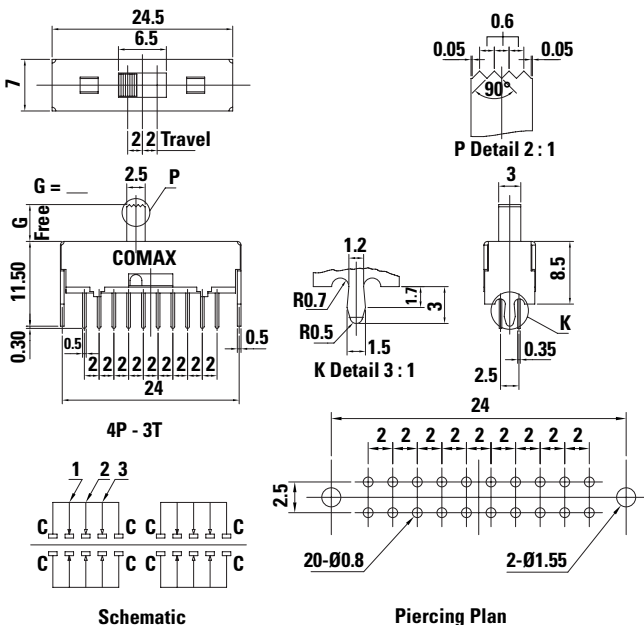
#### Specifications

Contact Rating	0.3A @ 30 VDC
Initial Contact Resistance	30 m ohms max.
Insulation Resistance	100 M ohms min.
Dielectric Strength	500 V AC (50-60 Hz) between open terminals and between the frame and terminal.
Operating Life	10,000 cycles with load
Operating Force	200 ± 100 gf (1.96 ± 0.98N) 300 ± 150 gf (2.94 ± 1.47N)
Travel	2 ± 0.3 mm
Operating Temperature	-20°C to 70°C

#### Materials

Knob	POM
Frame	SPCC
Contact	Silver clad
Terminal	Silver plated

#### Dimensions (in mm)



### SS-23D33-HG NS 2P3T Non-Shorting

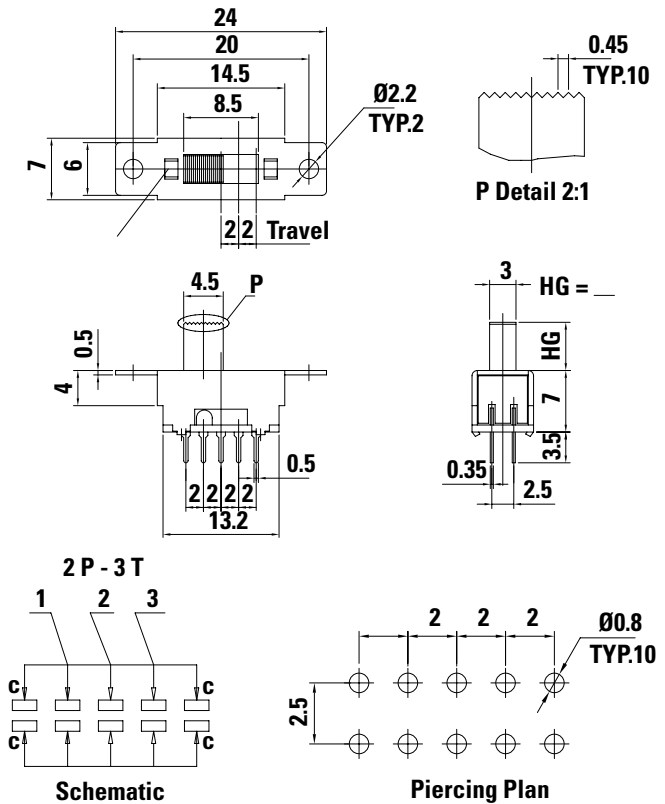
#### Specifications

Contact Rating	0.3A @ 30 VDC
Initial Contact Resistance	30 m ohms max.
Insulation Resistance	100 M ohms min.
Dielectric Strength	500 V AC (50-60 Hz) between open terminals and between the frame and terminal.
Operating Life	10,000 cycles with load
Operating Force	200 ± 100 gf (1.96 ± 0.98N) 300 ± 100 gf (2.94 ± 0.98N)
Travel	2 ± 0.3 mm
Operating Temperature	-20°C to 70°C

#### Materials

Knob	POM
Frame	SPCC
Contact	Silver clad
Terminal	Silver plated

#### Dimensions (in mm)



# SS Series

## Miniature Slide Switches



### SS-12F28-G NS 1P2T Non-Shorting

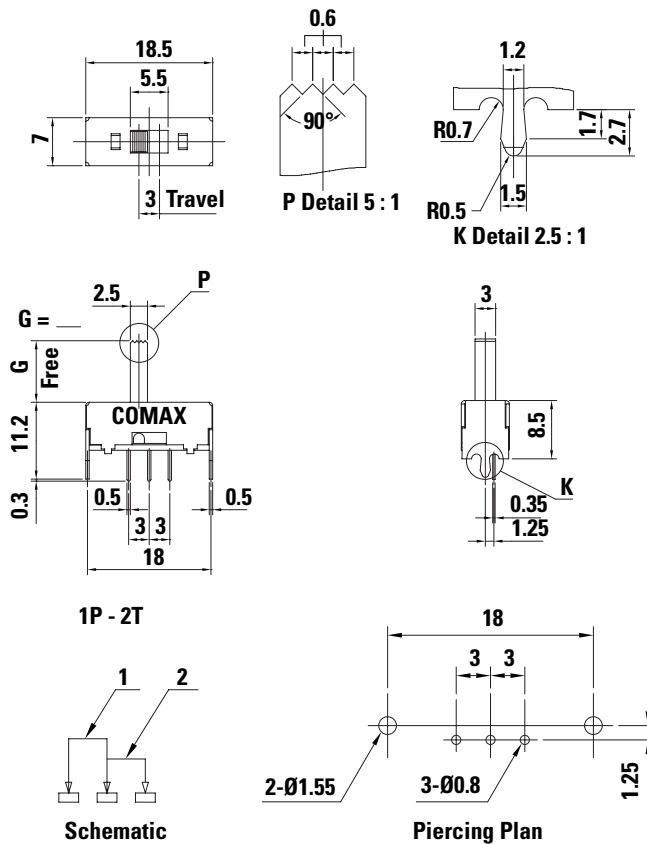
#### Specifications

<b>Contact Rating</b>	0.3A @ 30 VDC
<b>Initial Contact Resistance</b>	30 m ohms max.
<b>Insulation Resistance</b>	100 M ohms min.
<b>Dielectric Strength</b>	500 V AC (50-60 Hz) between open terminals and between the frame and terminal.
<b>Operating Life</b>	10,000 cycles with load
<b>Operating Force</b>	200 ± 100 gf (1.96 ± 0.98N)
<b>Travel</b>	3 ± 0.3 mm
<b>Operating Temperature</b>	-20°C to 70°C

#### Materials

<b>Knob</b>	POM
<b>Frame</b>	SPCC
<b>Contact</b>	Silver clad
<b>Terminal</b>	Silver plated

#### Dimensions (in mm)



### SS-22F28-G S DPDT Non-Shorting

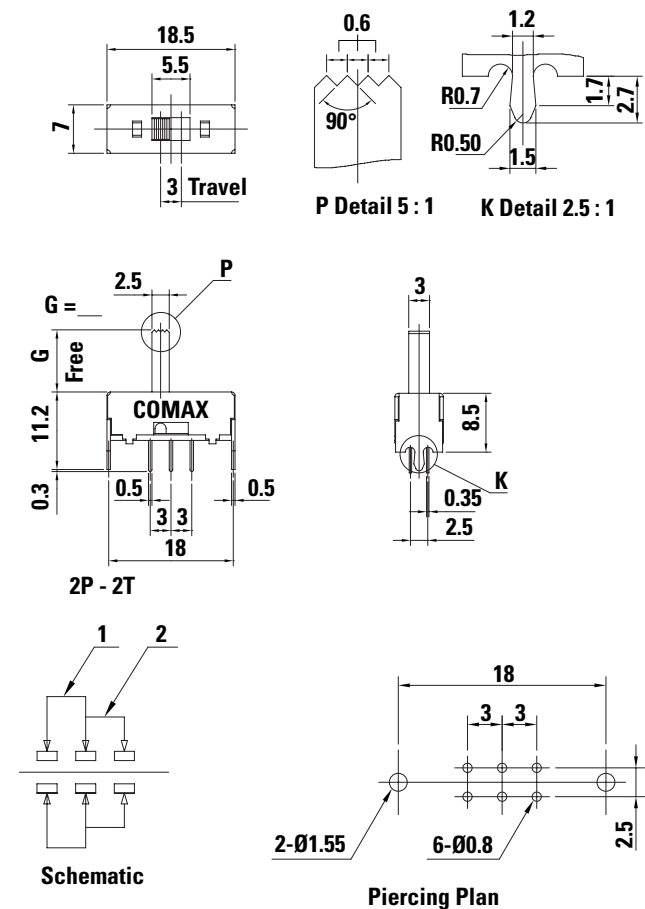
#### Specifications

<b>Contact Rating</b>	0.3A @ 30 VDC
<b>Initial Contact Resistance</b>	30 m ohms max.
<b>Insulation Resistance</b>	100 M ohms min.
<b>Dielectric Strength</b>	500 V AC (50-60 Hz) between open terminals and between the frame and terminal.
<b>Operating Life</b>	10,000 cycles with load
<b>Operating Force</b>	200 ± 100 gf (1.96 ± 0.98N)
<b>Travel</b>	3 ± 0.3 mm
<b>Operating Temperature</b>	-20°C to 70°C

#### Materials

<b>Knob</b>	POM
<b>Frame</b>	SPCC
<b>Contact</b>	Silver clad
<b>Terminal</b>	Silver plated

#### Dimensions (in mm)



# SS Series

## Miniature Slide Switches



### SS-23F28-G 6 NS 2P3T Non-Shorting

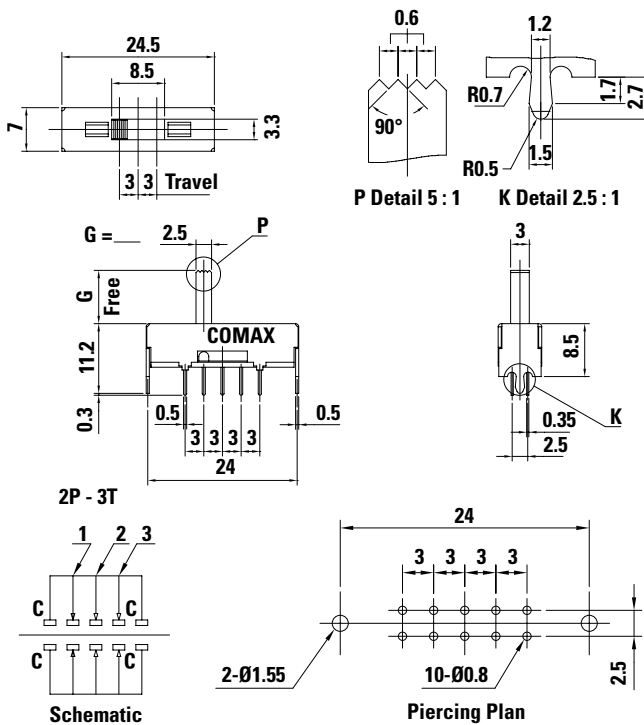
#### Specifications

<b>Contact Rating</b>	0.3A @ 30 VDC
<b>Initial Contact Resistance</b>	30 m ohms max.
<b>Insulation Resistance</b>	100 M ohms min.
<b>Dielectric Strength</b>	500 V AC (50-60 Hz) between open terminals and between the frame and terminal.
<b>Operating Life</b>	10,000 cycles with load
<b>Operating Force</b>	180 ± 50 gf (1.76 ± 0.49N) (A->B / C->B) 220 ± 100 gf (2.16 ± 0.98N) (B->C / B->A)
<b>Travel</b>	3 ± 0.3 mm
<b>Operating Temperature</b>	-20°C to 70°C
<b>Knob Length</b>	6mm

#### Materials

<b>Knob</b>	POM
<b>Frame</b>	SPCC
<b>Contact</b>	Silver clad
<b>Terminal</b>	Silver plated

#### Dimensions (in mm)



### SS-24F28-G 2P4T Non-Shorting

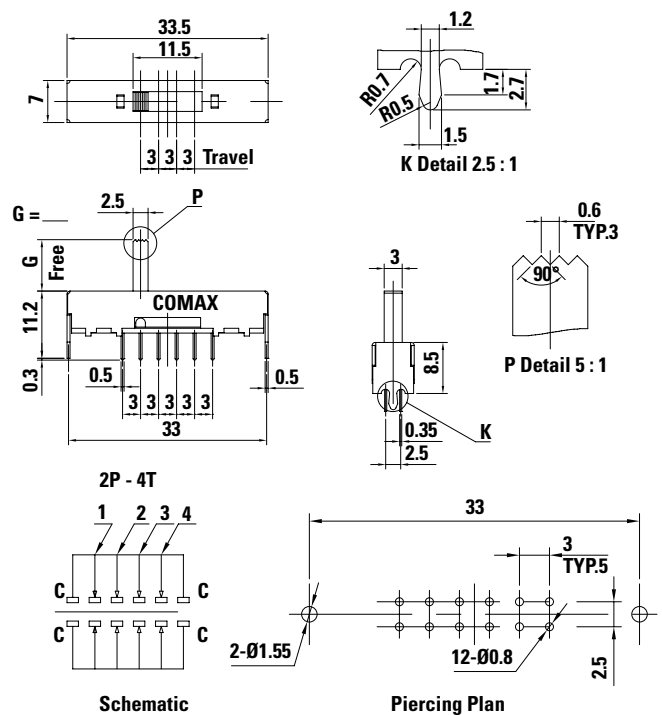
#### Specifications

<b>Contact Rating</b>	0.3A @ 30 VDC
<b>Initial Contact Resistance</b>	30 m ohms max.
<b>Insulation Resistance</b>	100 M ohms min.
<b>Dielectric Strength</b>	500 V AC (50-60 Hz) between open terminals and between the frame and terminal.
<b>Operating Life</b>	10,000 cycles with load
<b>Operating Force</b>	200 ± 100 gf (1.96 ± 0.98N) 250 ± 100 gf (2.45 ± 0.98N)
<b>Travel</b>	3 ± 0.3 mm
<b>Operating Temperature</b>	-20°C to 70°C

#### Materials

<b>Knob</b>	POM
<b>Frame</b>	SPCC
<b>Contact</b>	Silver clad
<b>Terminal</b>	Silver plated

#### Dimensions (in mm)



# SS Series

## Miniature Slide Switches



### SS-42F28-G NS 4P2T Non-Shorting

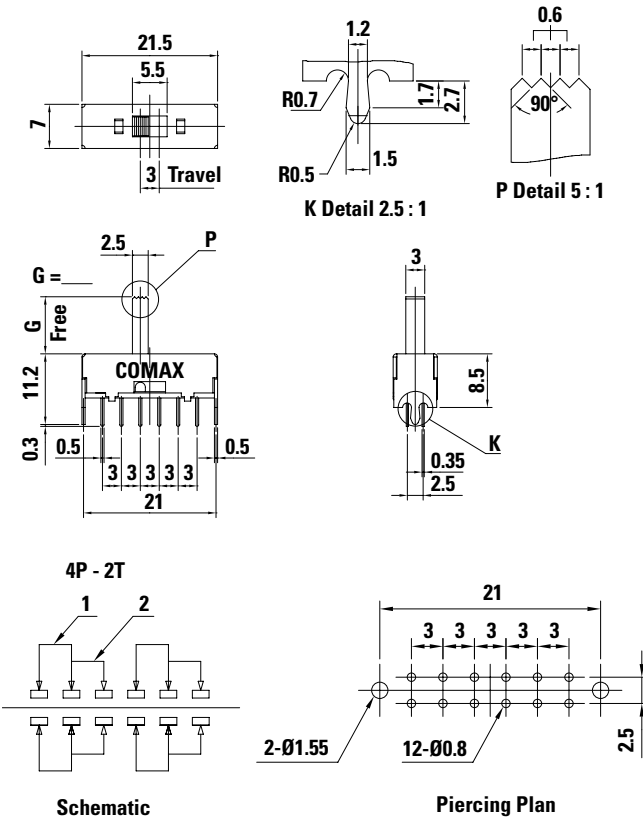
#### Specifications

<b>Contact Rating</b>	0.3A @ 30 VDC
<b>Initial Contact Resistance</b>	30 m ohms max.
<b>Insulation Resistance</b>	100 M ohms min.
<b>Dielectric Strength</b>	500 V AC (50-60 Hz) between open terminals and between the frame and terminal.
<b>Operating Life</b>	10,000 cycles with load
<b>Operating Force</b>	200 ± 100 gf (1.96 ± 0.98N)
<b>Travel</b>	3 ± 0.3 mm
<b>Operating Temperature</b>	-20°C to 70°C

#### Materials

<b>Knob</b>	POM
<b>Frame</b>	SPCC
<b>Contact</b>	Silver clad
<b>Terminal</b>	Silver plated

#### Dimensions (in mm)



### SS-43F28-G NS 4P3T Non-Shorting

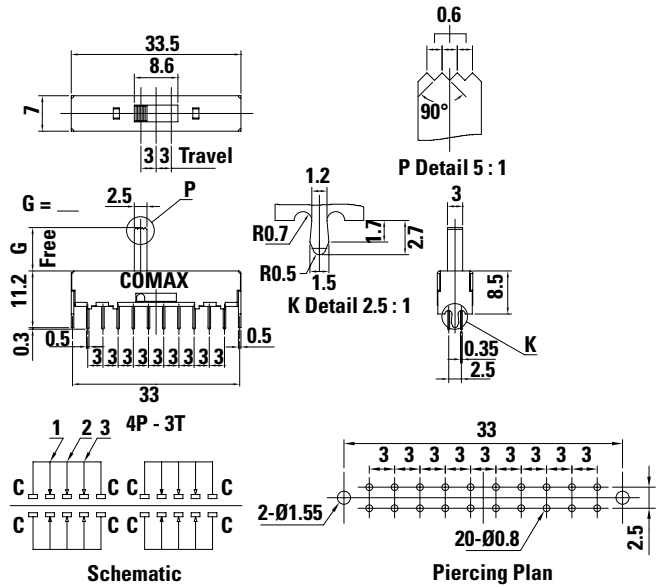
#### Specifications

<b>Contact Rating</b>	0.3A @ 30 VDC
<b>Initial Contact Resistance</b>	30 m ohms max.
<b>Insulation Resistance</b>	100 M ohms min.
<b>Dielectric Strength</b>	500 V AC (50-60 Hz) between open terminals and between the frame and terminal.
<b>Operating Life</b>	10,000 cycles with load
<b>Operating Force</b>	200 ± 100 gf (1.96 ± 0.98N) 250 ± 100 gf (2.45 ± 0.98N)
<b>Travel</b>	3 ± 0.3 mm
<b>Operating Temperature</b>	-20°C to 70°C

#### Materials

<b>Knob</b>	POM
<b>Frame</b>	SPCC
<b>Contact</b>	Silver clad
<b>Terminal</b>	Silver plated

#### Dimensions (in mm)



# SS Series

## Miniature Slide Switches



### SS-44F28-G NS 4P4T Non-Shorting

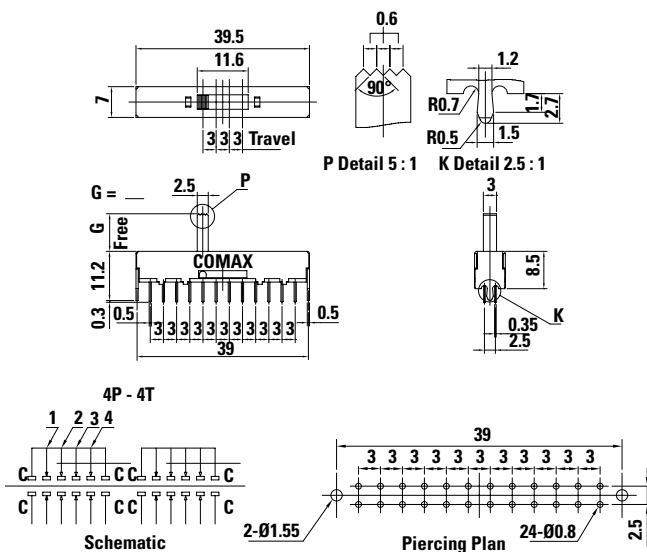
#### Specifications

<b>Contact Rating</b>	0.3A @ 30 VDC
<b>Initial Contact Resistance</b>	30 m ohms max.
<b>Insulation Resistance</b>	100 M ohms min.
<b>Dielectric Strength</b>	500 V AC (50-60 Hz) between open terminals and between the frame and terminal.
<b>Operating Life</b>	10,000 cycles with load
<b>Operating Force</b>	200 ± 100 gf (1.96 ± 0.98N) 250 ± 100 gf (2.45 ± 0.98N)
<b>Travel</b>	3 ± 0.3 mm
<b>Operating Temperature</b>	-20°C to 70°C

#### Materials

<b>Knob</b>	POM
<b>Frame</b>	SPCC
<b>Contact</b>	Silver clad
<b>Terminal</b>	Silver plated

#### Dimensions (in mm)



### SS-12D07-G NS 1P2T Non-Shorting

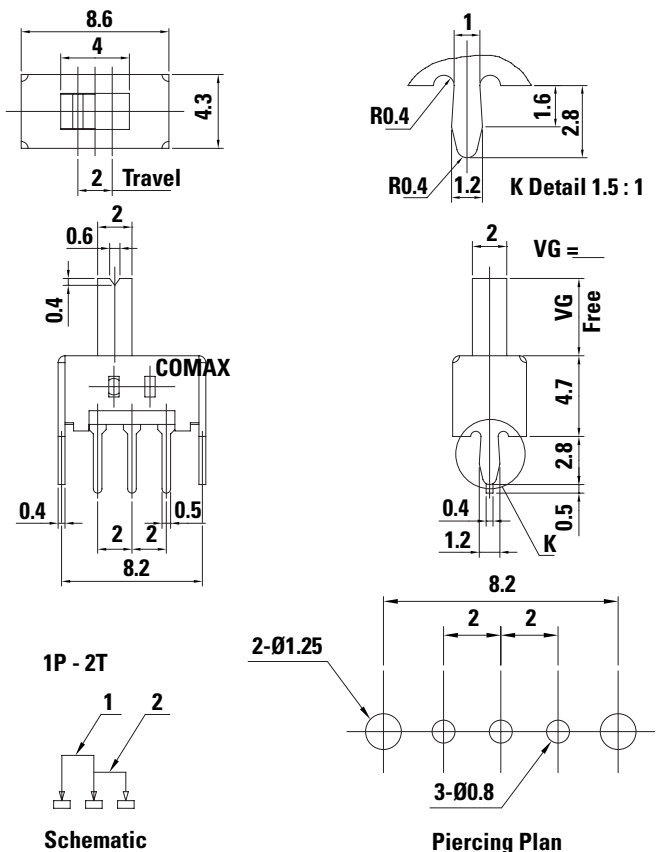
#### Specifications

<b>Contact Rating</b>	0.3A @ 30 VDC
<b>Initial Contact Resistance</b>	30 m ohms max.
<b>Insulation Resistance</b>	100 M ohms min.
<b>Dielectric Strength</b>	500 V AC (50-60 Hz) between open terminals and between the frame and terminal.
<b>Operating Life</b>	10,000 cycles with load
<b>Operating Force</b>	250 ± 100 gf (2.45 ± 0.98N)
<b>Travel</b>	2 ± 0.3 mm
<b>Operating Temperature</b>	-20°C to 70°C

#### Materials

<b>Knob</b>	POM
<b>Frame</b>	SPCC
<b>Contact</b>	Silver clad
<b>Terminal</b>	Silver plated

#### Dimensions (in mm)



# SS Series

## Miniature Slide Switches



### SS-12H26-VG 1P2T Non-Shorting

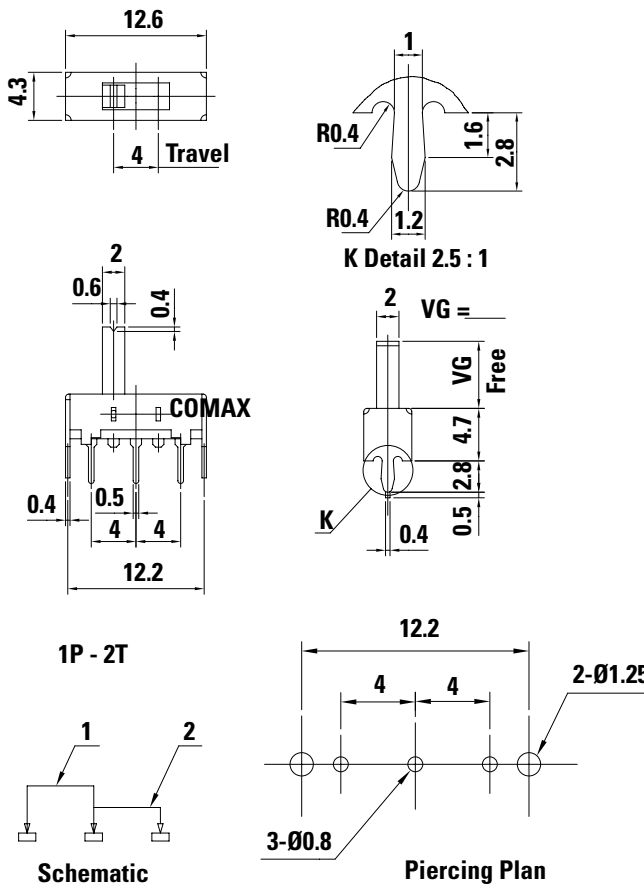
#### Specifications

<b>Contact Rating</b>	0.3A @ 30 VDC
<b>Initial Contact Resistance</b>	30 m ohms max.
<b>Insulation Resistance</b>	100 M ohms min.
<b>Dielectric Strength</b>	500 V AC (50-60 Hz) between open terminals and between the frame and terminal.
<b>Operating Life</b>	10,000 cycles with load
<b>Operating Force</b>	150 ± 100 gf (1.47 ± 0.98N)
<b>Travel</b>	2 ± 0.3 mm
<b>Operating Temperature</b>	-20°C to 70°C

#### Materials

<b>Knob</b>	POM
<b>Frame</b>	SPCC
<b>Contact</b>	Silver clad
<b>Terminal</b>	Silver plated

#### Dimensions (in mm)



### SS-13D08-VG 1P3T

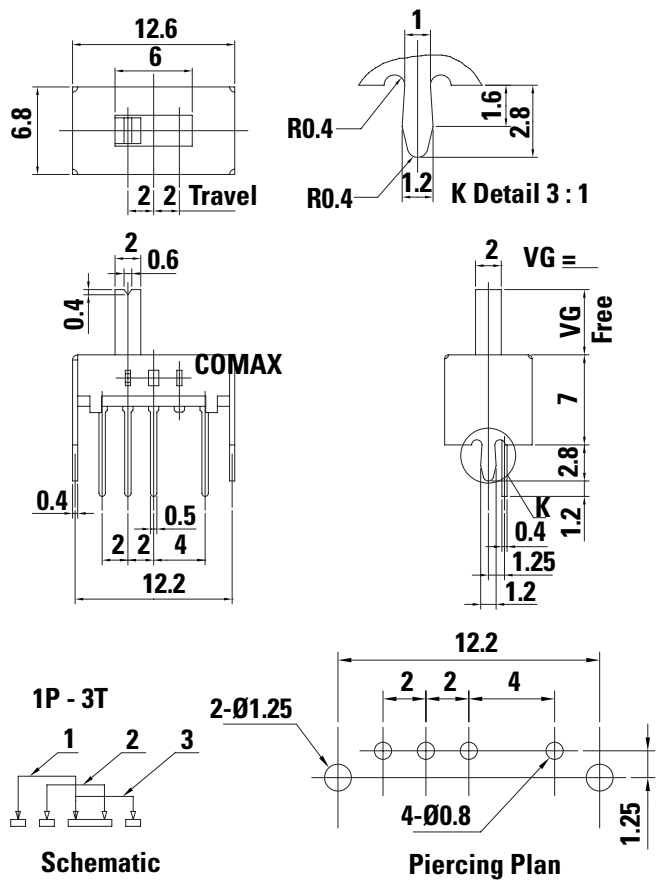
#### Specifications

<b>Contact Rating</b>	0.3A @ 30 VDC
<b>Initial Contact Resistance</b>	30 m ohms max.
<b>Insulation Resistance</b>	100 M ohms min.
<b>Dielectric Strength</b>	500 V AC (50-60 Hz) between open terminals and between the frame and terminal.
<b>Operating Life</b>	10,000 cycles with load
<b>Operating Force</b>	150 ± 50 gf (1.47 ± 0.49N) 200 ± 100 gf (1.96 ± 0.98N)
<b>Travel</b>	2 ± 0.3 mm
<b>Operating Temperature</b>	-20°C to 70°C

#### Materials

<b>Knob</b>	POM
<b>Frame</b>	SPCC
<b>Contact</b>	Silver clad
<b>Terminal</b>	Silver plated

#### Dimensions (in mm)



# SS Series

## Miniature Slide Switches



### SS-13D16-VG 1P3T

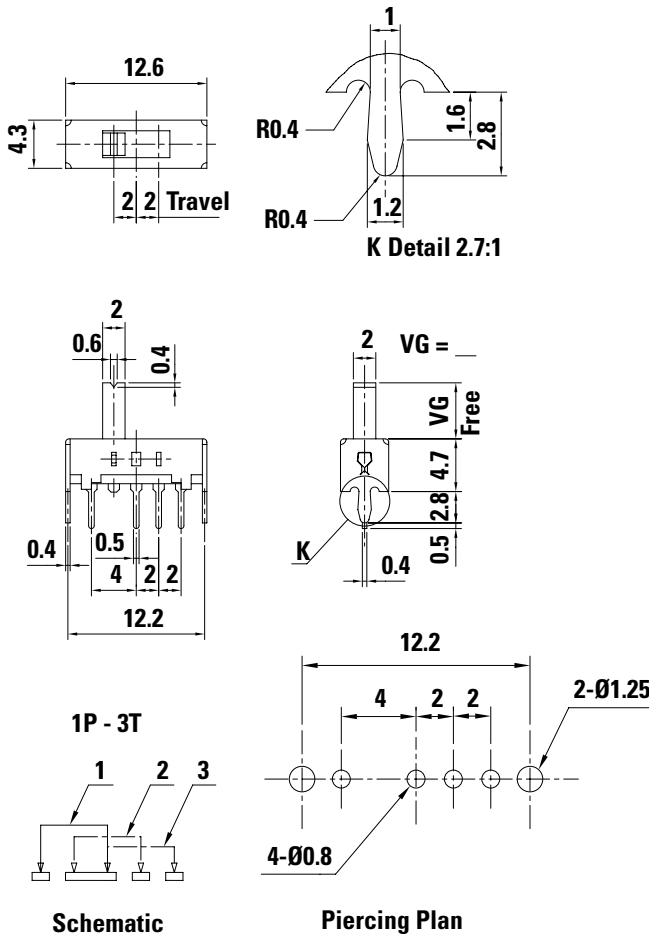
#### Specifications

<b>Contact Rating</b>	0.3A @ 30 VDC
<b>Initial Contact Resistance</b>	30 m ohms max.
<b>Insulation Resistance</b>	100 M ohms min.
<b>Dielectric Strength</b>	500 V AC (50-60 Hz) between open terminals and between the frame and terminal.
<b>Operating Life</b>	10,000 cycles with load
<b>Operating Force</b>	200 ± 100 gf (1.96 ± 0.98N) 250 ± 100 gf (1.47 ± 0.98N)
<b>Travel</b>	2 ± 0.3 mm
<b>Operating Temperature</b>	-20°C to 70°C

#### Materials

<b>Knob</b>	POM
<b>Frame</b>	SPCC
<b>Contact</b>	Silver clad
<b>Terminal</b>	Silver plated

#### Dimensions (in mm)



### SS-14D01-VG 1P4T

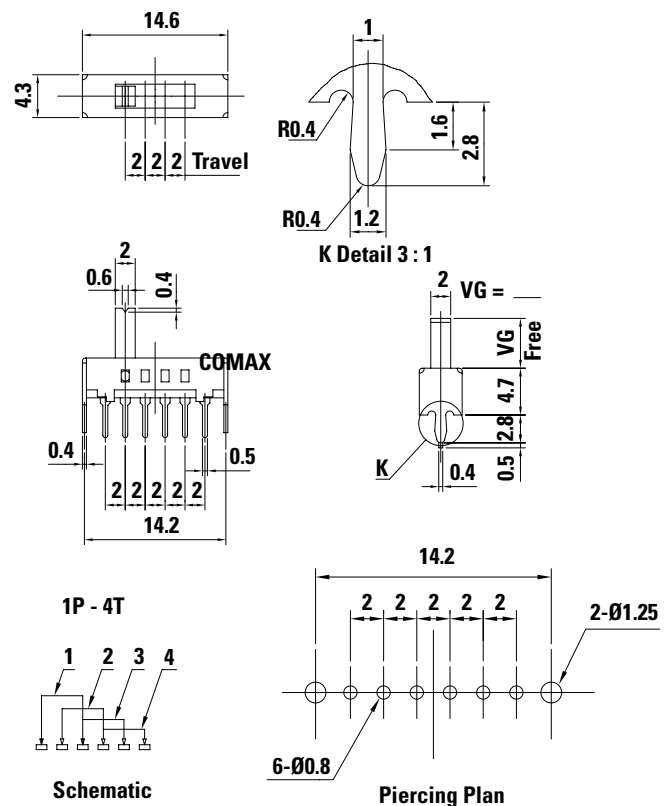
#### Specifications

<b>Contact Rating</b>	0.3A @ 30 VDC
<b>Initial Contact Resistance</b>	30 m ohms max.
<b>Insulation Resistance</b>	100 M ohms min.
<b>Dielectric Strength</b>	500 V AC (50-60 Hz) between open terminals and between the frame and terminal.
<b>Operating Life</b>	10,000 cycles with load
<b>Operating Force</b>	200 ± 100 gf (1.96 ± 0.98N)
<b>Travel</b>	2 ± 0.3 mm
<b>Operating Temperature</b>	-20°C to 70°C

#### Materials

<b>Knob</b>	POM
<b>Frame</b>	SPCC
<b>Contact</b>	Silver clad
<b>Terminal</b>	Silver plated

#### Dimensions (in mm)





# SS Series

## Miniature Slide Switches



### SS-14D07-VG 1P4T

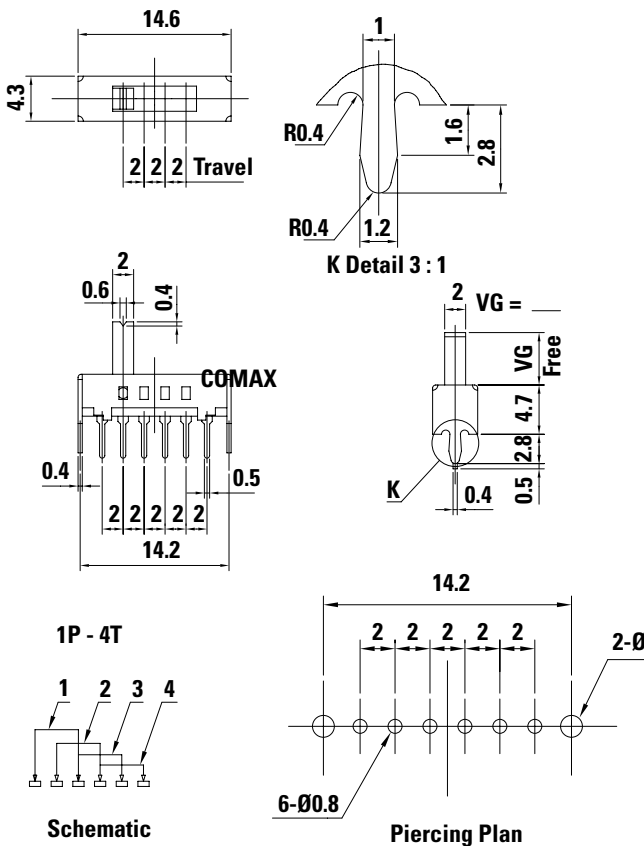
#### Specifications

<b>Contact Rating</b>	0.3A @ 30 VDC
<b>Initial Contact Resistance</b>	30 m ohms max.
<b>Insulation Resistance</b>	100 M ohms min.
<b>Dielectric Strength</b>	500 V AC (50-60 Hz) between open terminals and between the frame and terminal.
<b>Operating Life</b>	10,000 cycles with load
<b>Operating Force</b>	200 ± 100 gf (1.96 ± 0.98N)
<b>Travel</b>	2 ± 0.3 mm
<b>Operating Temperature</b>	-20°C to 70°C

#### Materials

<b>Knob</b>	POM
<b>Frame</b>	SPCC
<b>Contact</b>	Silver clad
<b>Terminal</b>	Silver plated

#### Dimensions (in mm)



### SS-22D07-VG S DPDT Shorting

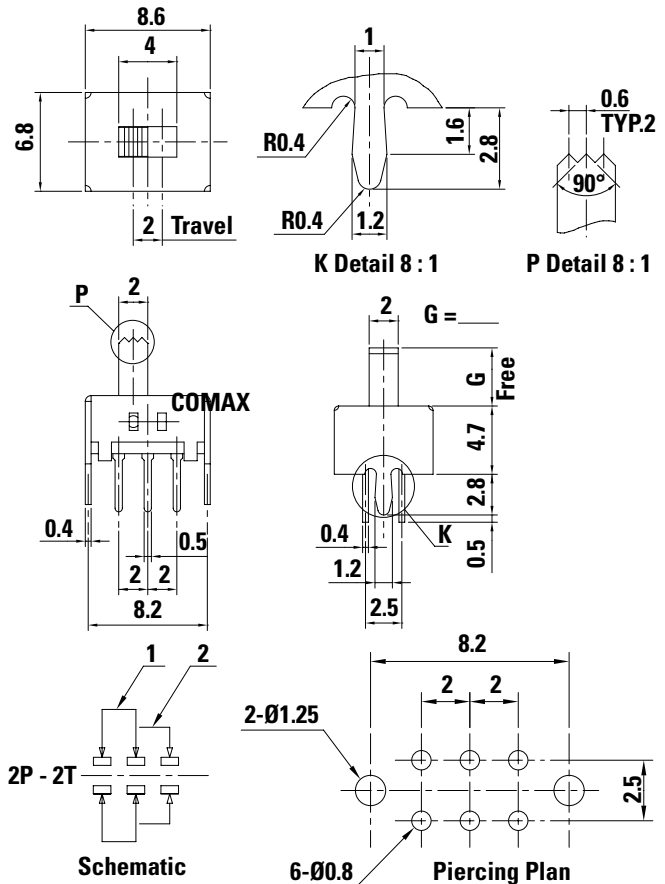
#### Specifications

<b>Contact Rating</b>	0.3A @ 30 VDC
<b>Initial Contact Resistance</b>	30 m ohms max.
<b>Insulation Resistance</b>	100 M ohms min.
<b>Dielectric Strength</b>	500 V AC (50-60 Hz) between open terminals and between the frame and terminal.
<b>Operating Life</b>	10,000 cycles with load
<b>Operating Force</b>	250 ± 100 gf (2.47 ± 0.98N)
<b>Travel</b>	2 ± 0.3 mm
<b>Operating Temperature</b>	-20°C to 70°C

#### Materials

<b>Knob</b>	POM
<b>Frame</b>	SPCC
<b>Contact</b>	Silver clad
<b>Terminal</b>	Silver plated

#### Dimensions (in mm)



# SS Series

## Miniature Slide Switches



### SS-22D07-VG S DPDT Non-Shorting

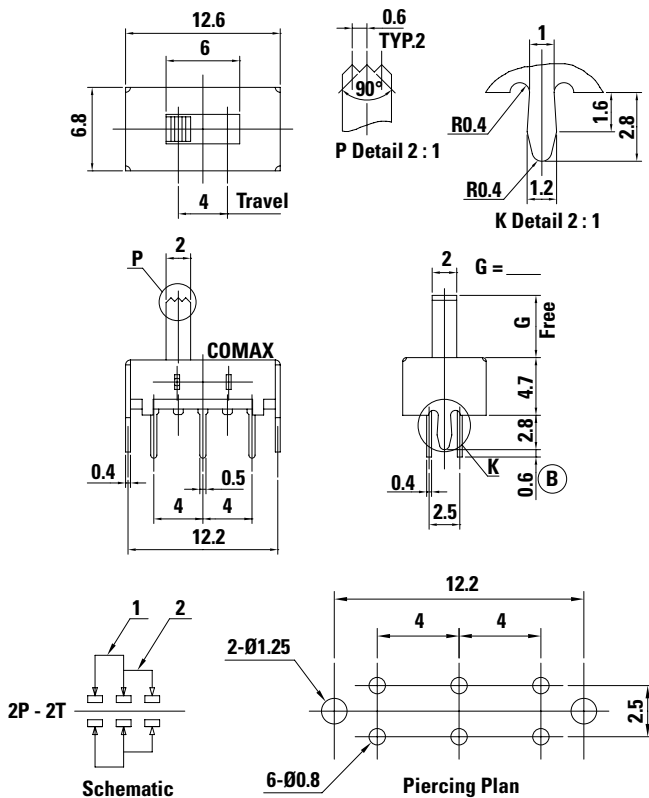
#### Specifications

<b>Contact Rating</b>	0.3A @ 30 VDC
<b>Initial Contact Resistance</b>	30 m ohms max.
<b>Insulation Resistance</b>	100 M ohms min.
<b>Dielectric Strength</b>	500 V AC (50-60 Hz) between open terminals and between the frame and terminal.
<b>Operating Life</b>	10,000 cycles with load
<b>Operating Force</b>	200 ± 100 gf (1.96 ± 0.98N)
<b>Travel</b>	4 ± 0.3 mm
<b>Operating Temperature</b>	-20°C to 70°C

#### Materials

<b>Knob</b>	POM
<b>Frame</b>	SPCC
<b>Contact</b>	Silver clad
<b>Terminal</b>	Silver plated

#### Dimensions (in mm)



### SS-22H16-G DPDT Non-Shorting

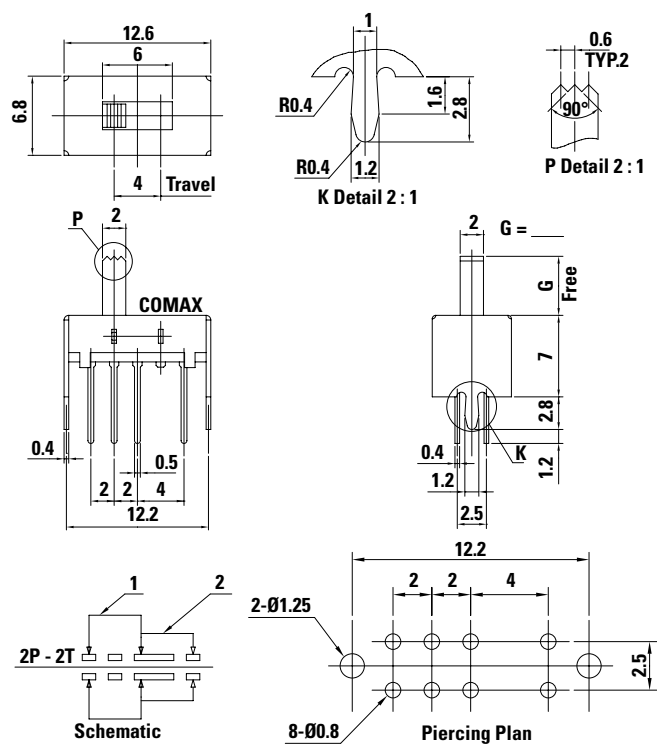
#### Specifications

<b>Contact Rating</b>	0.3A @ 30 VDC
<b>Initial Contact Resistance</b>	30 m ohms max.
<b>Insulation Resistance</b>	100 M ohms min.
<b>Dielectric Strength</b>	500 V AC (50-60 Hz) between open terminals and between the frame and terminal.
<b>Operating Life</b>	10,000 cycles with load
<b>Operating Force</b>	200 ± 100 gf (1.96 ± 0.98N)
<b>Travel</b>	4 ± 0.3 mm
<b>Operating Temperature</b>	-20°C to 70°C

#### Materials

<b>Knob</b>	POM
<b>Frame</b>	SPCC
<b>Contact</b>	Silver clad
<b>Terminal</b>	Silver plated

#### Dimensions (in mm)



# SS Series

## Miniature Slide Switches



### SS-23D07-G PA 2P3T Non-Shorting

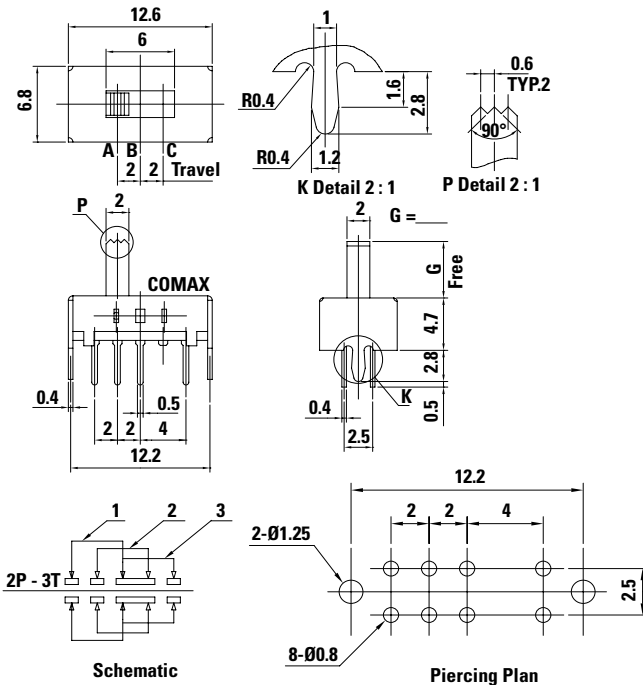
#### Specifications

<b>Contact Rating</b>	0.3A @ 30 VDC
<b>Initial Contact Resistance</b>	30 m ohms max.
<b>Insulation Resistance</b>	100 M ohms min.
<b>Dielectric Strength</b>	500 V AC (50-60 Hz) between open terminals and between the frame and terminal.
<b>Operating Life</b>	10,000 cycles with load
<b>Operating Force</b>	250 ± 150 gf (2.45 ± 1.47N) 300 ± 150 gf (2.94 ± 1.47N)
<b>Travel</b>	2 ± 0.3 mm
<b>Operating Temperature</b>	-20°C to 80°C

#### Materials

<b>Knob</b>	PA
<b>Frame</b>	SPCC
<b>Contact</b>	Silver clad
<b>Terminal</b>	Silver plated

#### Dimensions (in mm)



### SS-24D02-VG 2P4T

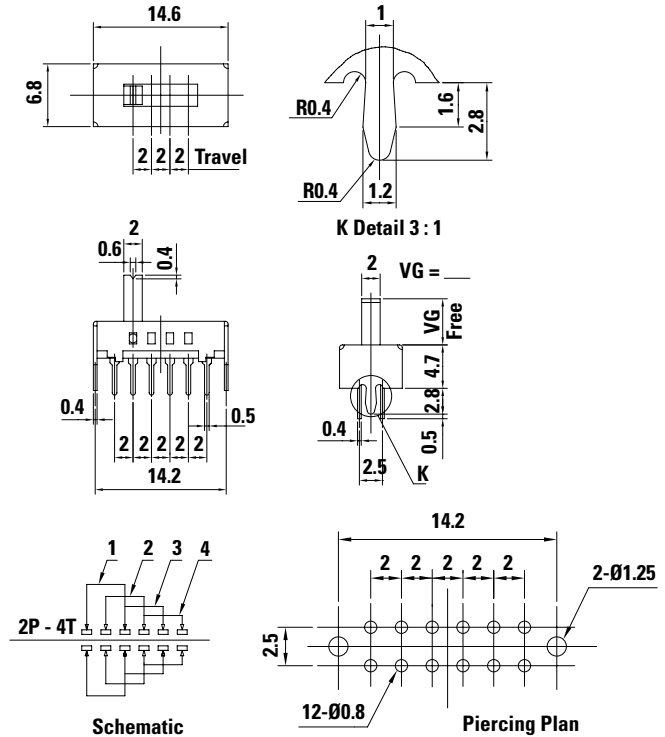
#### Specifications

<b>Contact Rating</b>	0.3A @ 30 VDC
<b>Initial Contact Resistance</b>	30 m ohms max.
<b>Insulation Resistance</b>	100 M ohms min.
<b>Dielectric Strength</b>	500 V AC (50-60 Hz) between open terminals and between the frame and terminal.
<b>Operating Life</b>	10,000 cycles with load
<b>Operating Force</b>	250 ± 150 gf (2.45 ± 1.47N)
<b>Travel</b>	2 ± 0.3 mm
<b>Operating Temperature</b>	-20°C to 70°C

#### Materials

<b>Knob</b>	POM
<b>Frame</b>	SPCC
<b>Contact</b>	Silver clad
<b>Terminal</b>	Silver plated

#### Dimensions (in mm)



# SS Series

## Miniature Slide Switches



### SS-24D04-VG PA 2P4T

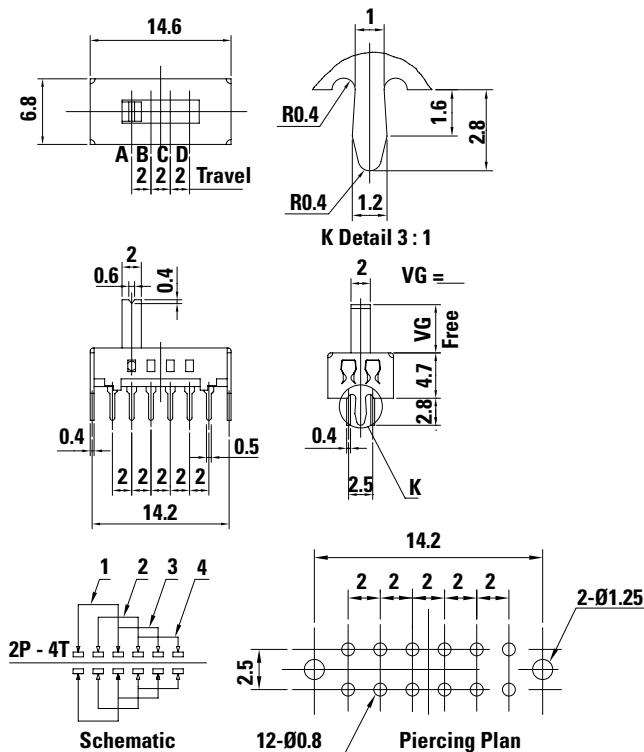
#### Specifications

<b>Contact Rating</b>	0.3A @ 30 VDC
<b>Initial Contact Resistance</b>	30 m ohms max.
<b>Insulation Resistance</b>	100 M ohms min.
<b>Dielectric Strength</b>	500 V AC (50-60 Hz) between open terminals and between the frame and terminal.
<b>Operating Life</b>	10,000 cycles with load
<b>Operating Force</b>	250 ± 100 gf (2.45 ± 0.98N)
<b>Travel</b>	2 ± 0.3 mm
<b>Operating Temperature</b>	-20°C to 70°C

#### Materials

<b>Knob</b>	PA
<b>Frame</b>	SPCC
<b>Contact</b>	Silver clad
<b>Terminal</b>	Silver plated

#### Dimensions (in mm)



### SS-24D07-VG PA 2P4T

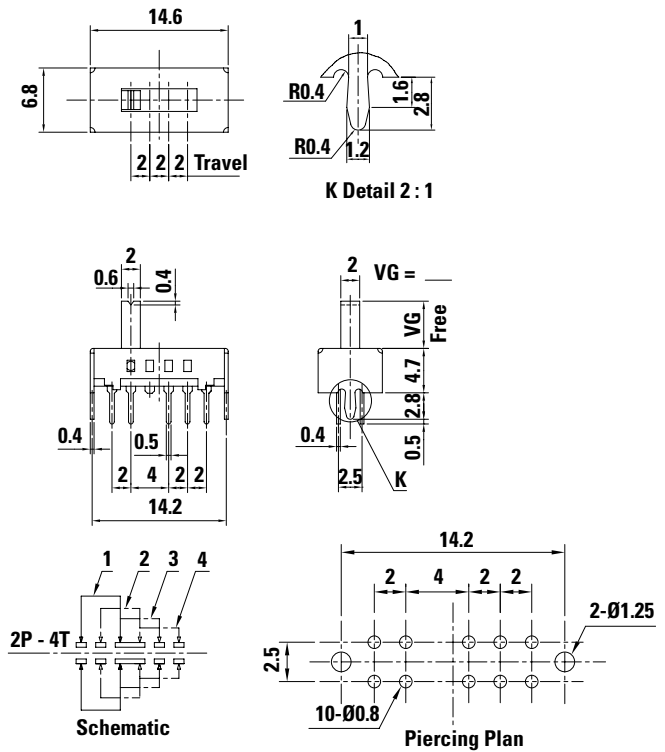
#### Specifications

<b>Contact Rating</b>	0.3A @ 30 VDC
<b>Initial Contact Resistance</b>	30 m ohms max.
<b>Insulation Resistance</b>	100 M ohms min.
<b>Dielectric Strength</b>	500 V AC (50-60 Hz) between open terminals and between the frame and terminal.
<b>Operating Life</b>	10,000 cycles with load
<b>Operating Force</b>	250 ± 150 gf (2.45 ± 1.47N)
<b>Travel</b>	2 ± 0.3 mm
<b>Operating Temperature</b>	-20°C to 70°C

#### Materials

<b>Knob</b>	PA
<b>Frame</b>	SPCC
<b>Contact</b>	Silver clad
<b>Terminal</b>	Silver plated

#### Dimensions (in mm)



# SS Series

## Miniature Slide Switches



### SS-13E08-DG 1P3T

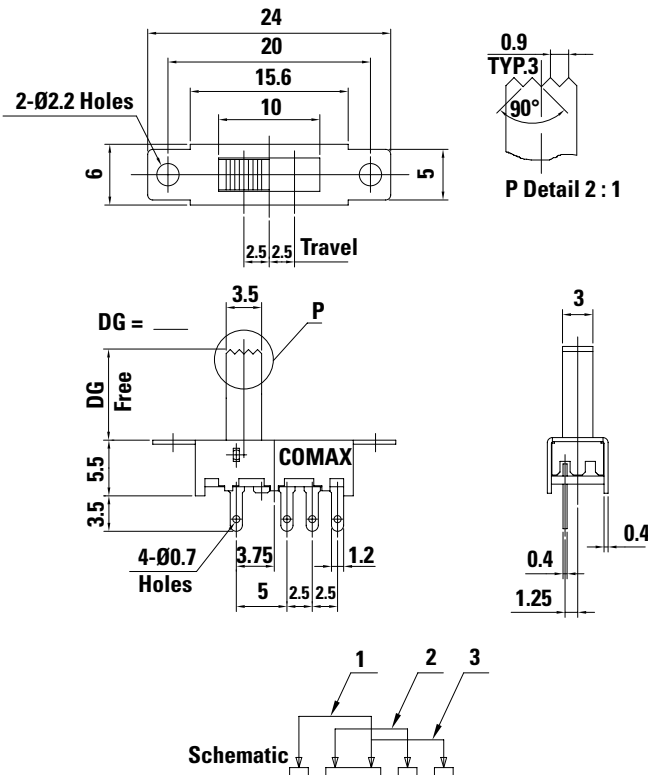
#### Specifications

<b>Contact Rating</b>	0.3A @ 30 VDC
<b>Initial Contact Resistance</b>	30 m ohms max.
<b>Insulation Resistance</b>	100 M ohms min.
<b>Dielectric Strength</b>	500 V AC (50-60 Hz) between open terminals and between the frame and terminal.
<b>Operating Life</b>	10,000 cycles with load
<b>Operating Force</b>	200 ± 100 gf (1.96 ± 0.98N) 250 ± 100 gf (2.45 ± 0.98N)
<b>Travel</b>	2.5 ± 0.3 mm
<b>Operating Temperature</b>	-20°C to 70°C

#### Materials

<b>Knob</b>	POM
<b>Frame</b>	SPCC
<b>Contact</b>	Silver clad
<b>Terminal</b>	Silver plated

#### Dimensions (in mm)



### SS-22J08-G DPDT Non-Shorting

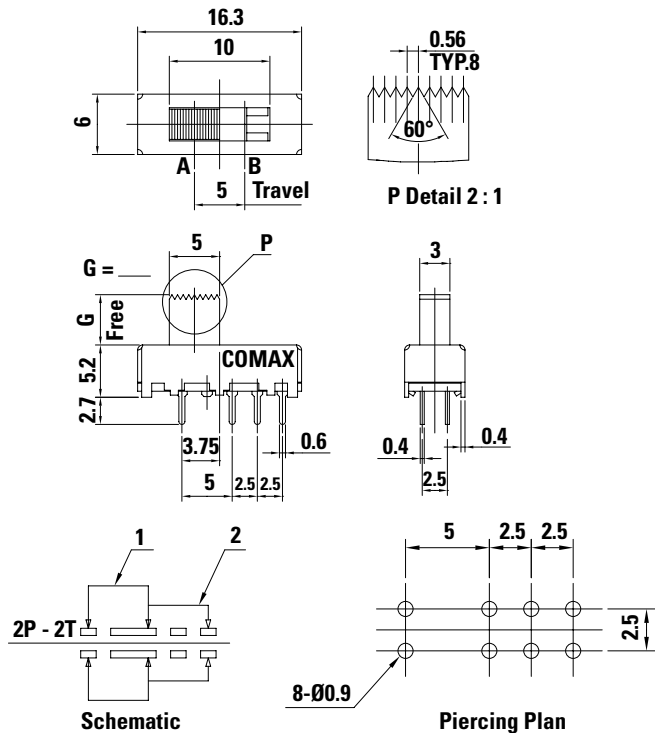
#### Specifications

<b>Contact Rating</b>	0.3A @ 30 VDC
<b>Initial Contact Resistance</b>	30 m ohms max.
<b>Insulation Resistance</b>	100 M ohms min.
<b>Dielectric Strength</b>	500 V AC (50-60 Hz) between open terminals and between the frame and terminal.
<b>Operating Life</b>	10,000 cycles with load
<b>Operating Force</b>	200 ± 100 gf (1.96 ± 0.98N)
<b>Travel</b>	5 ± 0.3 mm
<b>Operating Temperature</b>	-20°C to 70°C

#### Materials

<b>Knob</b>	POM
<b>Frame</b>	SPCC
<b>Contact</b>	Silver clad
<b>Terminal</b>	Silver plated

#### Dimensions (in mm)



# SS Series

## Miniature Slide Switches



### SS-23E06-G 2P3T

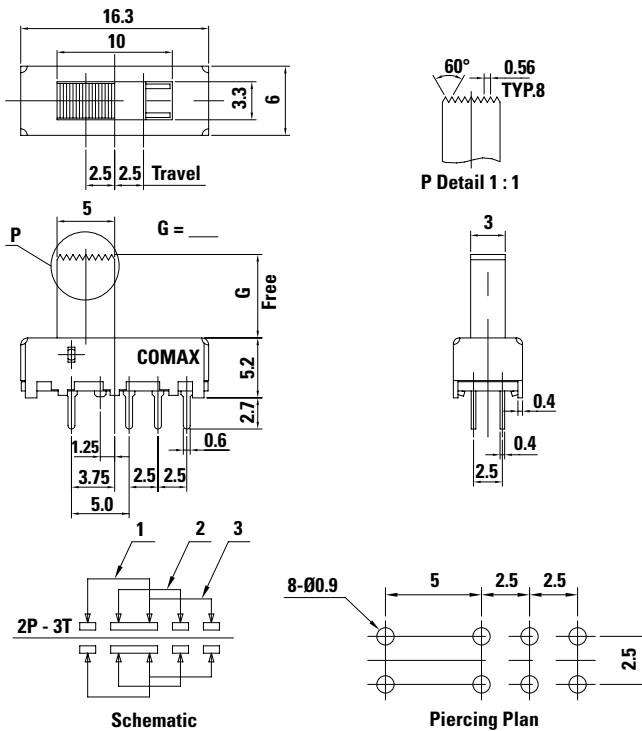
#### Specifications

<b>Contact Rating</b>	0.3A @ 30 VDC
<b>Initial Contact Resistance</b>	30 m ohms max.
<b>Insulation Resistance</b>	100 M ohms min.
<b>Dielectric Strength</b>	500 V AC (50-60 Hz) between open terminals and between the frame and terminal.
<b>Operating Life</b>	10,000 cycles with load
<b>Operating Force</b>	200 ± 100 gf (1.96 ± 0.98N) 250 ± 100 gf (2.45 ± 0.98N)
<b>Travel</b>	2.5 ± 0.3 mm
<b>Operating Temperature</b>	-20°C to 70°C

#### Materials

<b>Knob</b>	POM
<b>Frame</b>	SPCC
<b>Contact</b>	Silver clad
<b>Terminal</b>	Silver plated

#### Dimensions (in mm)



### SS-23E08-TG 2P3T

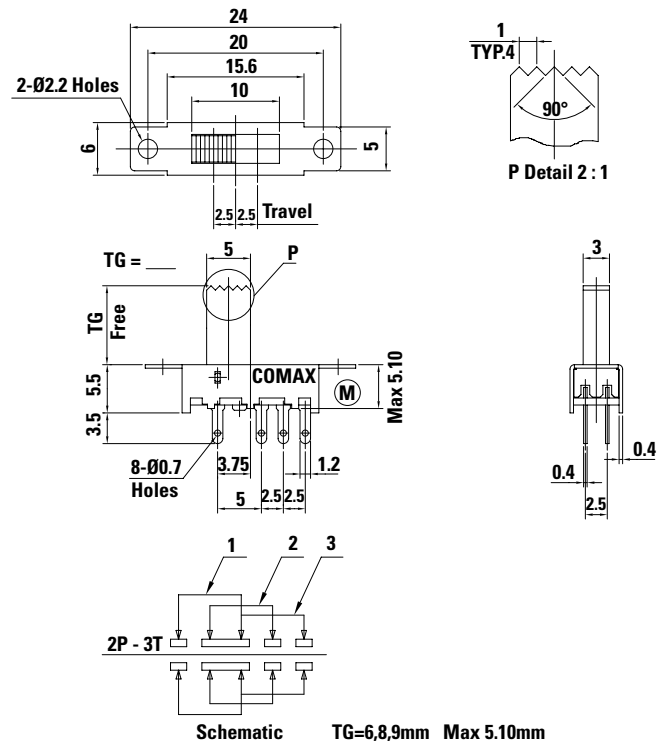
#### Specifications

<b>Contact Rating</b>	0.3A @ 30 VDC
<b>Initial Contact Resistance</b>	30 m ohms max.
<b>Insulation Resistance</b>	100 M ohms min.
<b>Dielectric Strength</b>	500 V AC (50-60 Hz) between open terminals and between the frame and terminal.
<b>Operating Life</b>	10,000 cycles with load
<b>Operating Force</b>	200 ± 100 gf (1.96 ± 0.98N) 250 ± 100 gf (2.45 ± 0.98N)
<b>Travel</b>	2.5 ± 0.3 mm
<b>Operating Temperature</b>	-20°C to 80°C

#### Materials

<b>Knob</b>	POM
<b>Frame</b>	SPCC
<b>Contact</b>	Silver clad
<b>Terminal</b>	Silver plated

#### Dimensions (in mm)



# SS Series

## Miniature Slide Switches



### SS-24E06-TG 2P4T Shorting

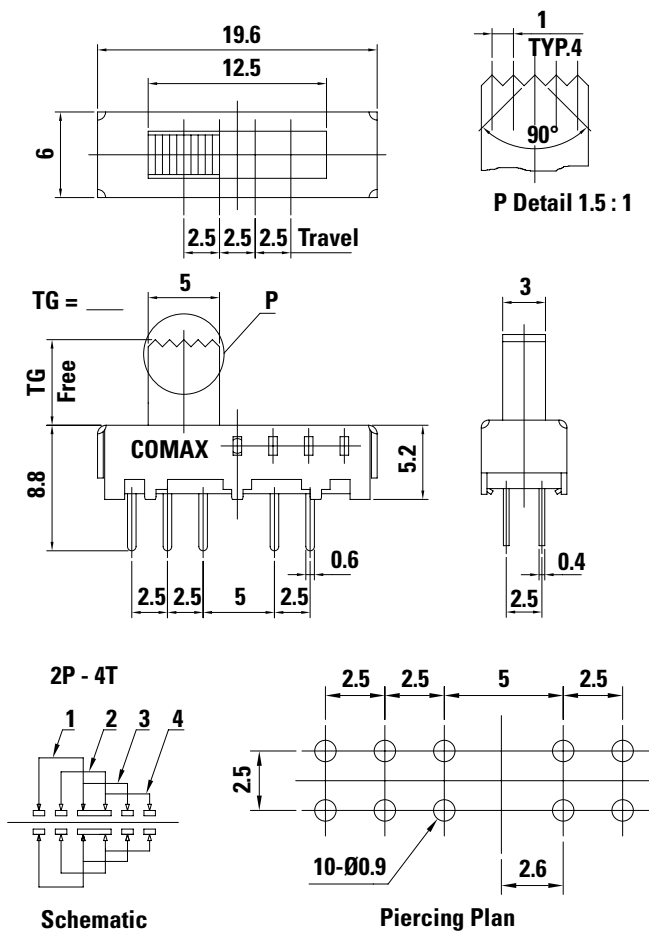
#### Specifications

Contact Rating	0.3A @ 30 VDC
Initial Contact Resistance	30 m ohms max.
Insulation Resistance	100 M ohms min.
Dielectric Strength	500 V AC (50-60 Hz) between open terminals and between the frame and terminal.
Operating Life	10,000 cycles with load
Operating Force	250 ± 100 gf (2.45 ± 0.98N)
Travel	2.5 ± 0.3 mm
Operating Temperature	-20°C to 70°C

#### Materials

Knob	POM
Frame	SPCC
Contact	Silver clad
Terminal	Silver plated

#### Dimensions (in mm)



### SS-24E08-CG 2P4T

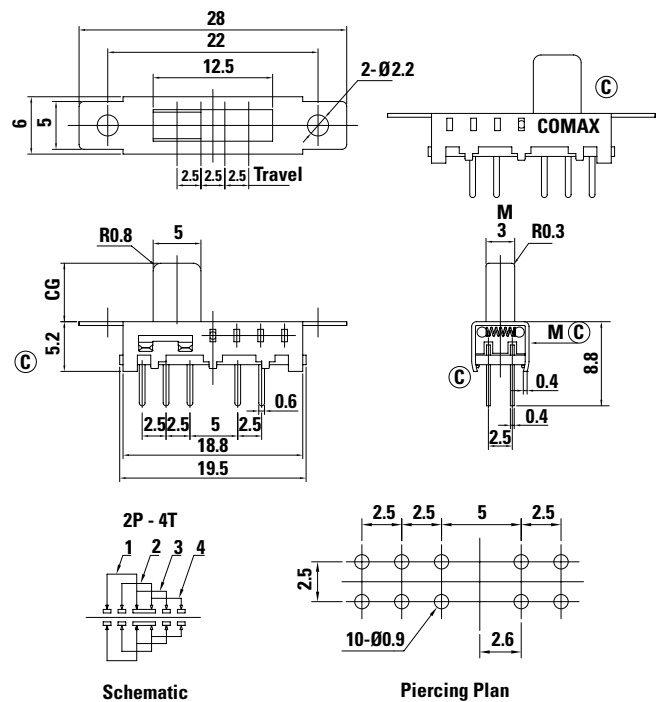
#### Specifications

Contact Rating	0.3A @ 30 VDC
Initial Contact Resistance	30 m ohms max.
Insulation Resistance	100 M ohms min.
Dielectric Strength	500 V AC (50-60 Hz) between open terminals and between the frame and terminal.
Operating Life	10,000 cycles with load
Operating Force	250 ± 100 gf (2.45 ± 0.98N)
Travel	2.5 ± 0.3 mm
Operating Temperature	-20°C to 80°C

#### Materials

Knob	POM
Frame	SPCC
Contact	Silver clad
Terminal	Silver plated

#### Dimensions (in mm)



# SS Series

## Miniature Slide Switches



### SS-24E09-TG 2P4T

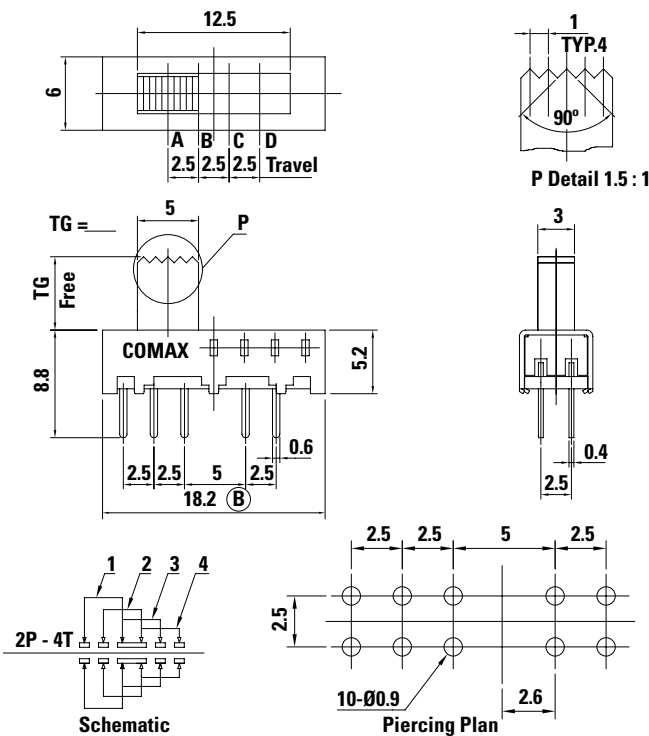
#### Specifications

<b>Contact Rating</b>	0.3A @ 30 VDC
<b>Initial Contact Resistance</b>	30 m ohms max.
<b>Insulation Resistance</b>	100 M ohms min.
<b>Dielectric Strength</b>	500 V AC (50-60 Hz) between open terminals and between the frame and terminal.
<b>Operating Life</b>	10,000 cycles with load
<b>Operating Force</b>	250 ± 100 gf (2.45 ± 0.98N)
<b>Travel</b>	2.5 ± 0.3 mm
<b>Operating Temperature</b>	-20°C to 70°C

#### Materials

<b>Knob</b>	POM
<b>Frame</b>	SPCC
<b>Contact</b>	Silver clad
<b>Terminal</b>	Silver plated

#### Dimensions (in mm)



### SS-24E10-TG 2P4T

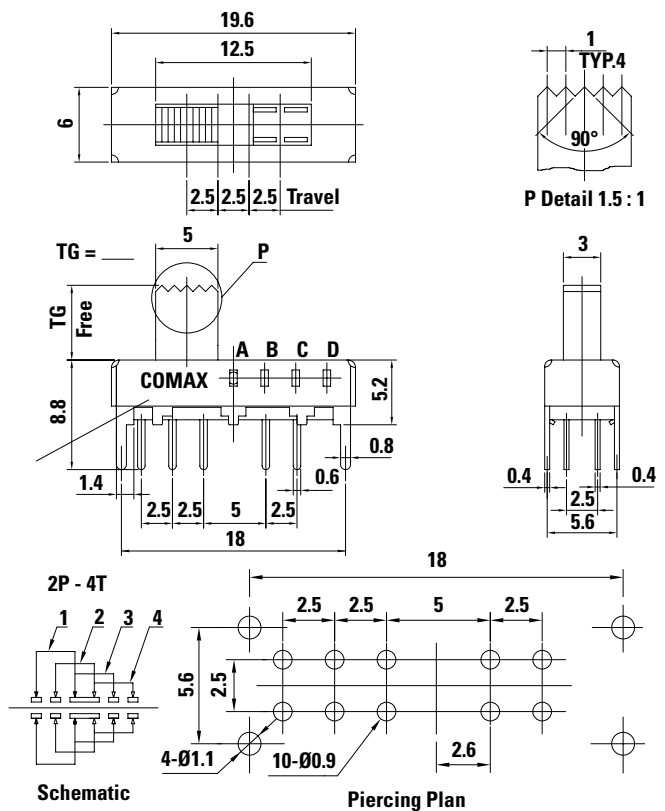
#### Specifications

<b>Contact Rating</b>	0.3A @ 30 VDC
<b>Initial Contact Resistance</b>	30 m ohms max.
<b>Insulation Resistance</b>	100 M ohms min.
<b>Dielectric Strength</b>	500 V AC (50-60 Hz) between open terminals and between the frame and terminal.
<b>Operating Life</b>	10,000 cycles with load
<b>Operating Force</b>	250 ± 100 gf (2.45 ± 0.98N)
<b>Travel</b>	2.5 ± 0.3 mm
<b>Operating Temperature</b>	-20°C to 80°C

#### Materials

<b>Knob</b>	POM
<b>Frame</b>	SPCC
<b>Contact</b>	Silver clad
<b>Terminal</b>	Silver plated

#### Dimensions (in mm)





# SS Series

## Miniature Slide Switches



### SS-24E19-TG 2P4T

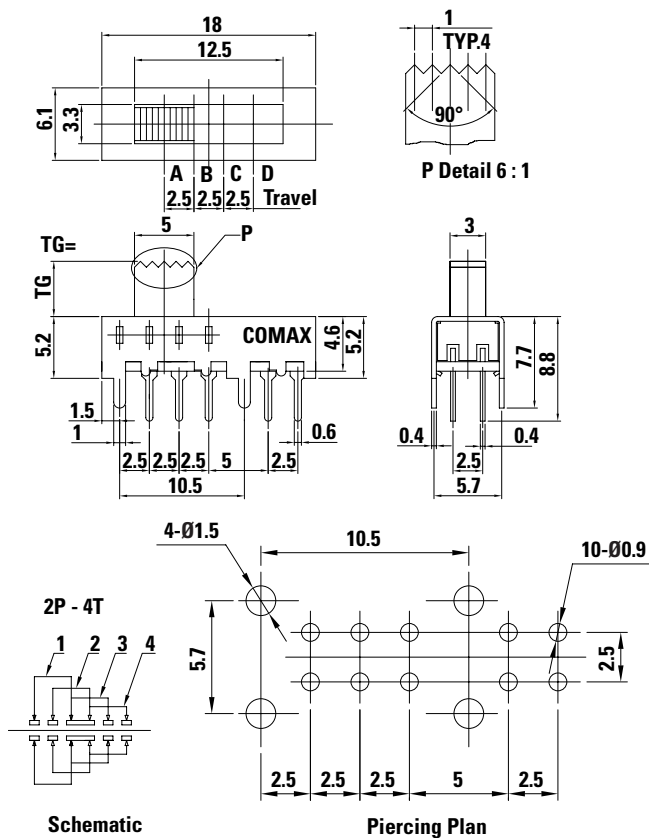
#### Specifications

<b>Contact Rating</b>	0.3A @ 30 VDC
<b>Initial Contact Resistance</b>	30 m ohms max.
<b>Insulation Resistance</b>	100 M ohms min.
<b>Dielectric Strength</b>	500 V AC (50-60 Hz) between open terminals and between the frame and terminal.
<b>Operating Life</b>	10,000 cycles with load
<b>Operating Force</b>	250 ± 100 gf (2.45 ± 0.98N)
<b>Travel</b>	2.5 ± 0.3 mm
<b>Operating Temperature</b>	-20°C to 70°C

#### Materials

<b>Knob</b>	POM
<b>Frame</b>	SPCC
<b>Contact</b>	Silver clad
<b>Terminal</b>	Silver plated

#### Dimensions (in mm)



### SS-43D01-G 4P3T

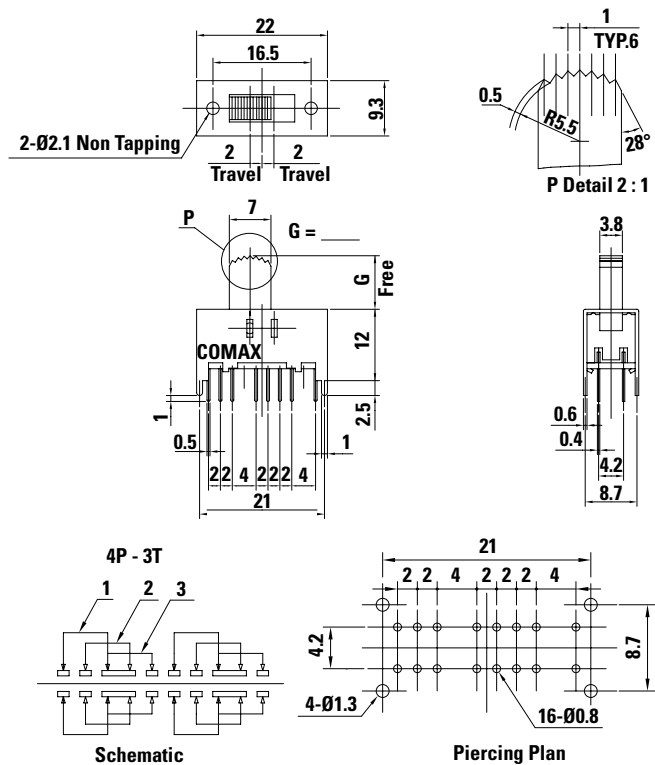
#### Specifications

<b>Contact Rating</b>	0.3A @ 30 VDC
<b>Initial Contact Resistance</b>	30 m ohms max.
<b>Insulation Resistance</b>	100 M ohms min.
<b>Dielectric Strength</b>	500 V AC (50-60 Hz) between open terminals and between the frame and terminal.
<b>Operating Life</b>	10,000 cycles with load
<b>Operating Force</b>	200 ± 100 gf (1.96 ± 0.98N) 300 ± 150 gf (2.94 ± 1.47N)
<b>Travel</b>	2 ± 0.3 mm
<b>Operating Temperature</b>	-20°C to 70°C

#### Materials

<b>Knob</b>	POM
<b>Frame</b>	SPCC
<b>Contact</b>	Silver clad
<b>Terminal</b>	Silver plated

#### Dimensions (in mm)



# SS Series

## Miniature Slide Switches



### SS-14D0839-VG 5 PA 1P4T

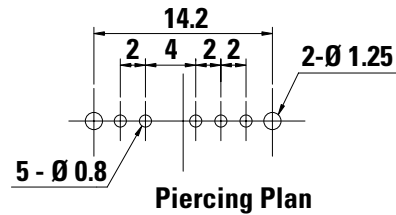
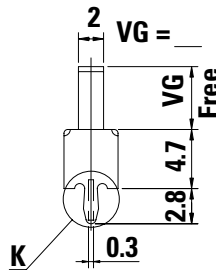
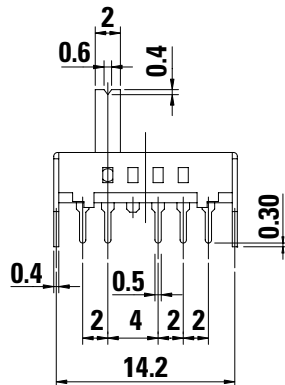
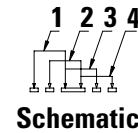
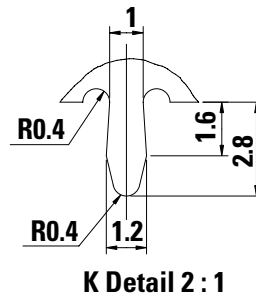
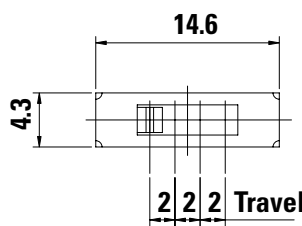
#### Specifications

<b>Contact Rating</b>	0.3A @ 30 VDC
<b>Initial Contact Resistance</b>	30 m ohms max.
<b>Insulation Resistance</b>	100 M ohms min.
<b>Dielectric Strength</b>	500 V AC (50-60 Hz) between open terminals and between the frame and terminal.
<b>Operating Life</b>	10,000 cycles with load
<b>Operating Force</b>	250 ± 100 gf (2.45 ± 0.98N)
<b>Travel</b>	2 ± 0.3 mm
<b>Operating Temperature</b>	-20°C to 70°C

#### Materials

<b>Knob</b>	PA
<b>Frame</b>	SPCC
<b>Contact</b>	Silver clad
<b>Terminal</b>	Silver plated

#### Dimensions (in mm)



**Disclaimer Notice** - Information furnished is believed to be accurate and reliable. However, users should independently evaluate the suitability of and test each product selected for their own applications. Littelfuse products are not designed for, and may not be used in, all applications. Read complete Disclaimer Notice at <http://www.littelfuse.com/disclaimer-electronics>.